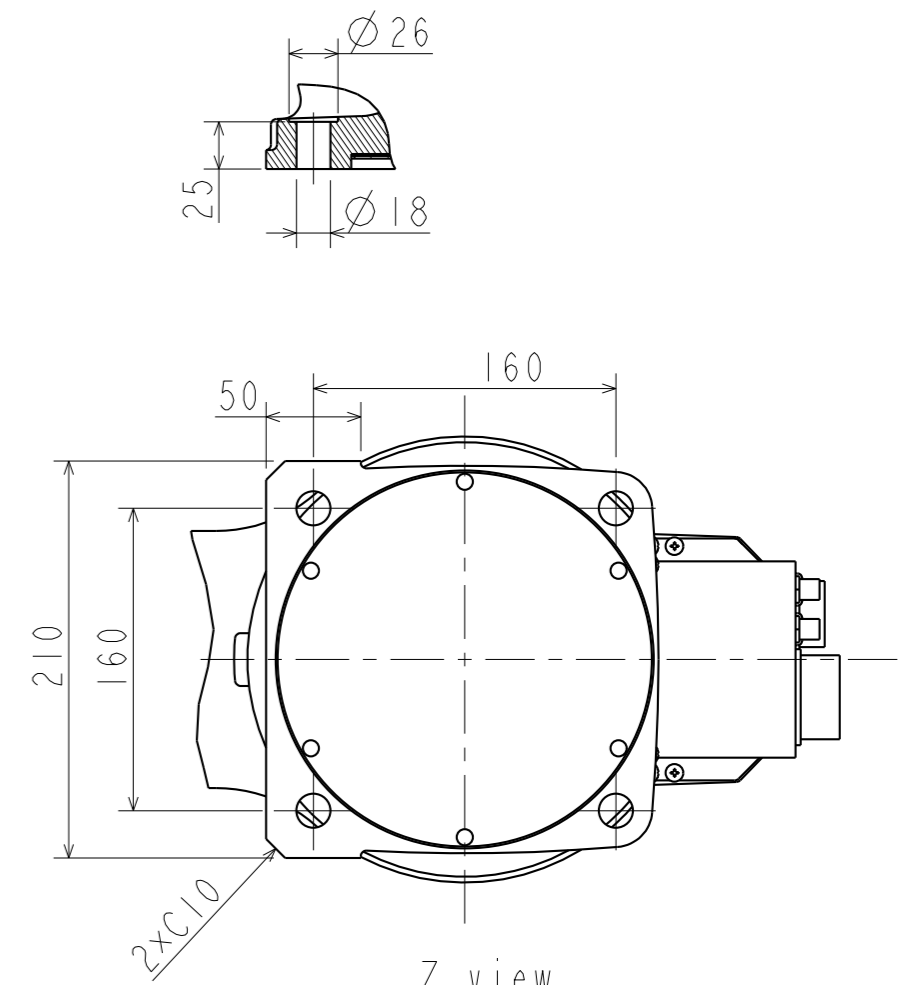
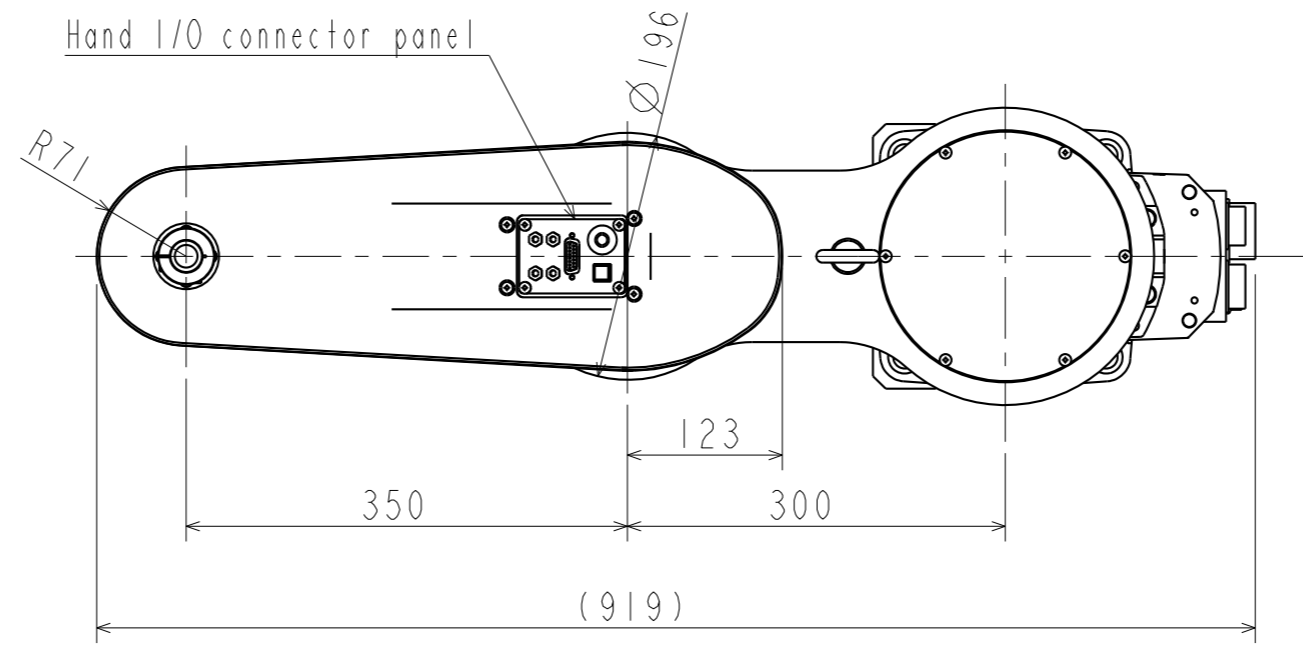
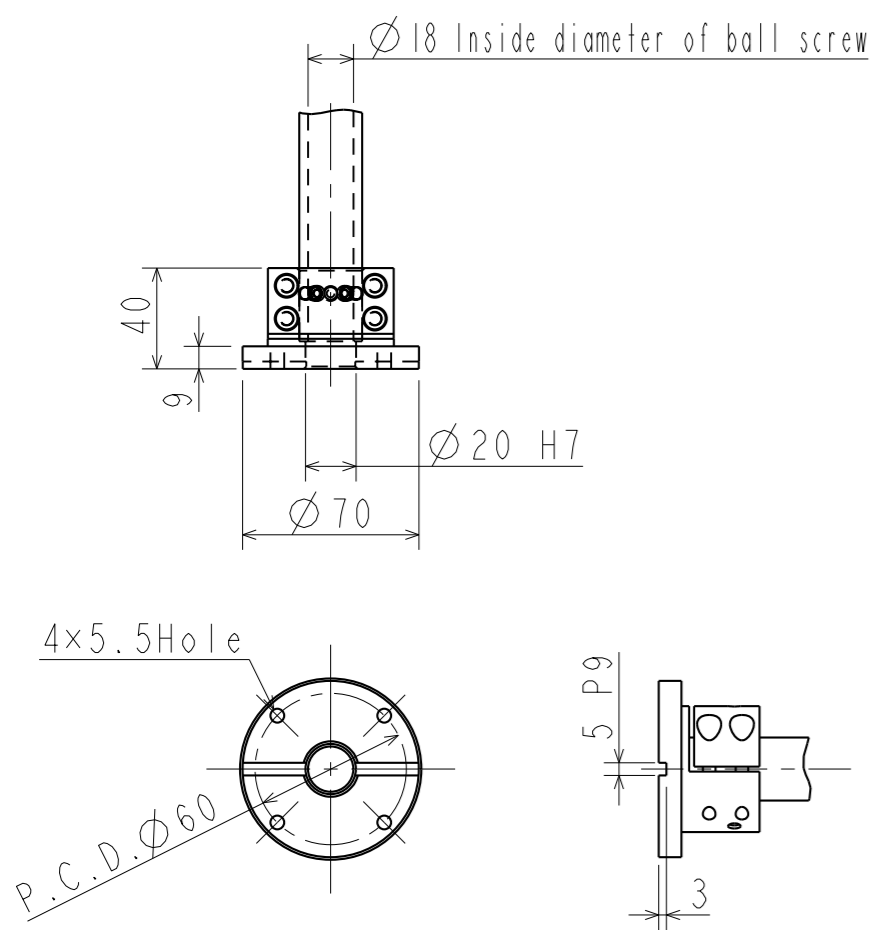


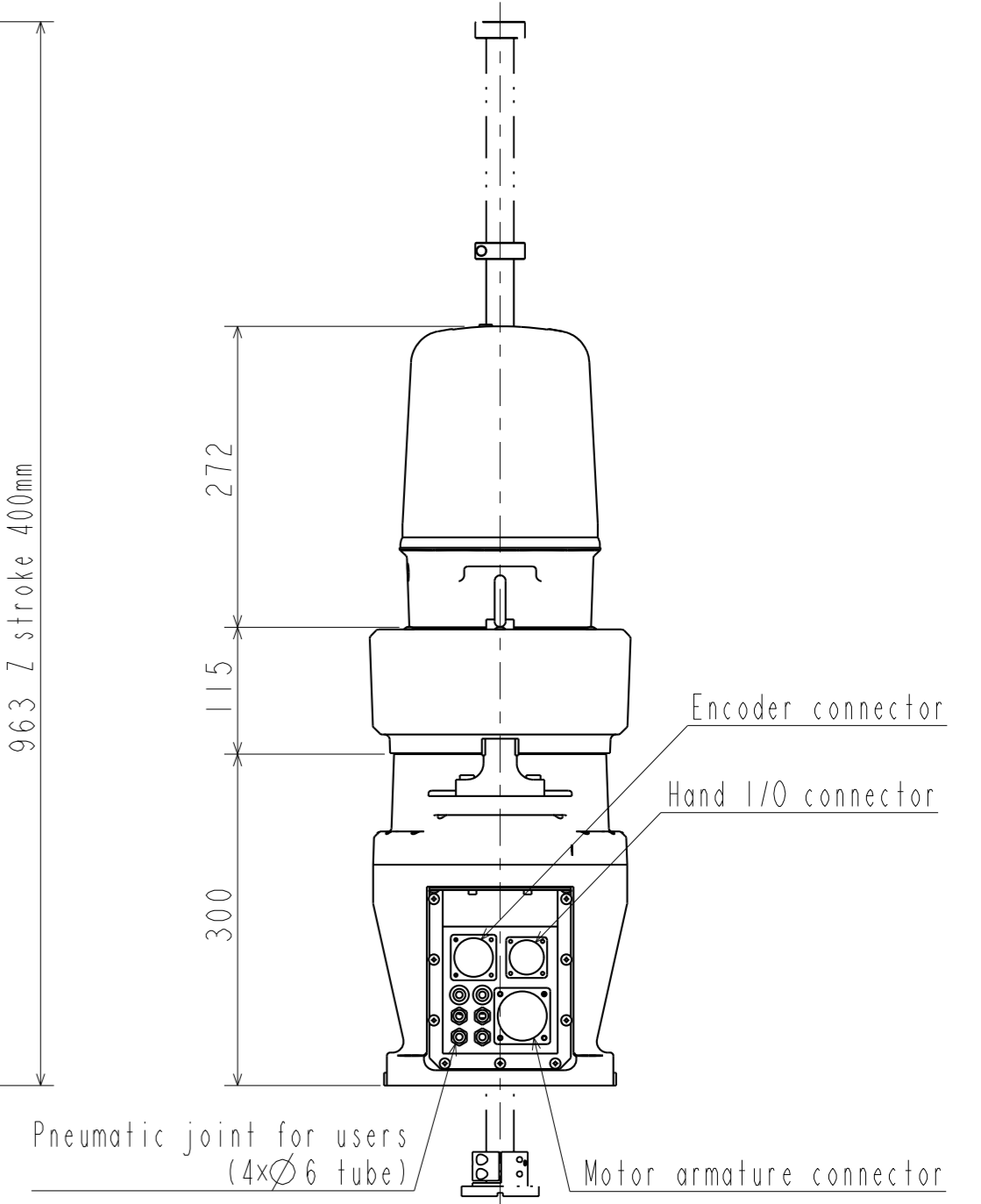
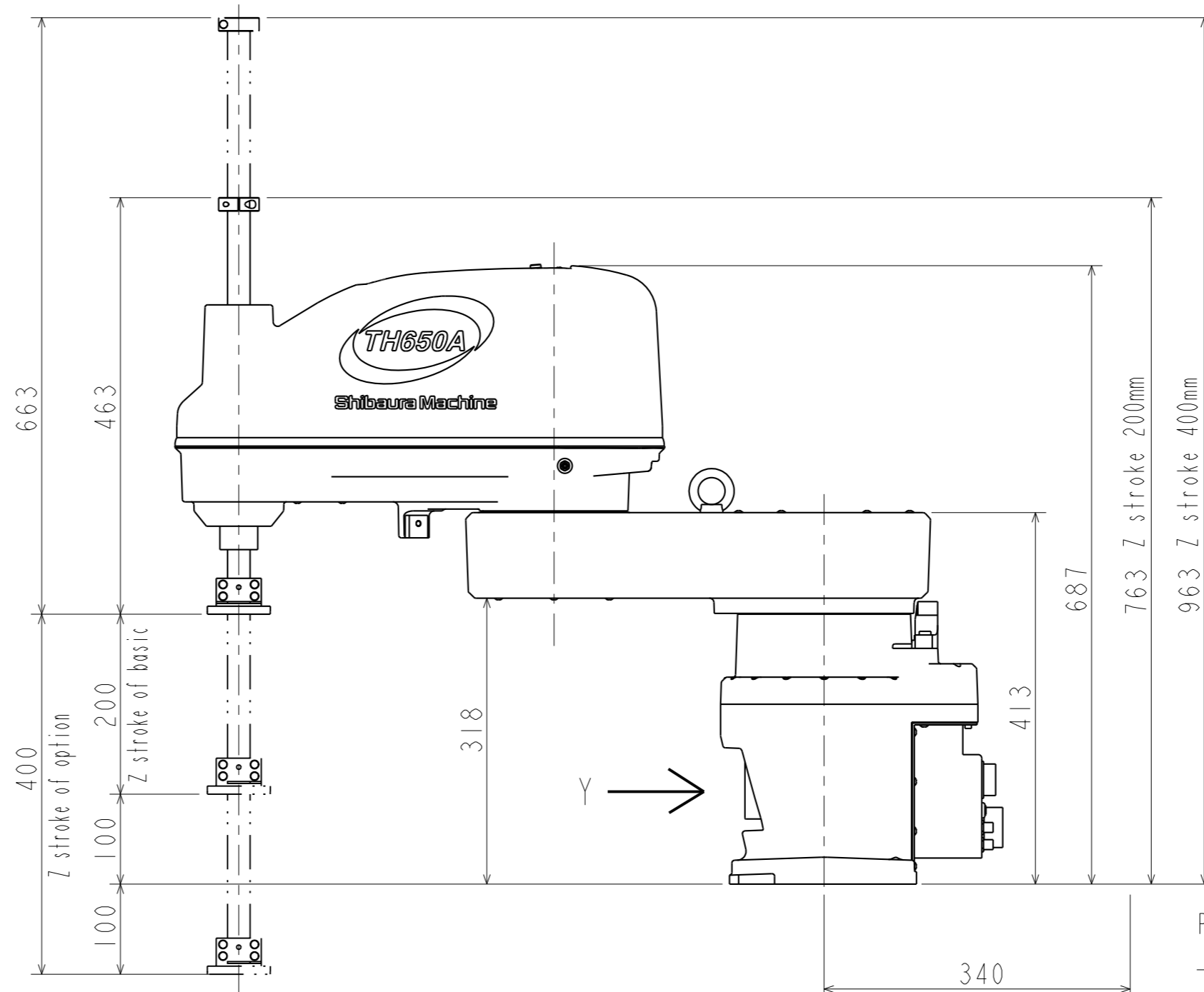
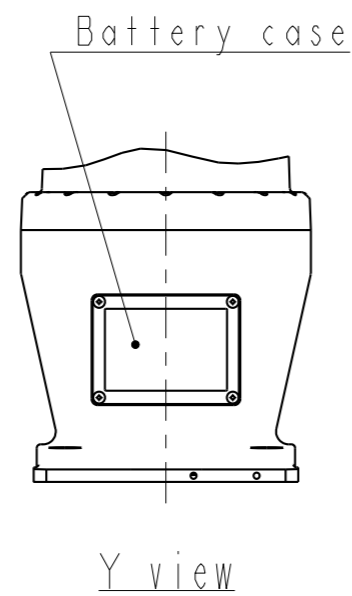
Move envelope
scale 1:8



Z view
Detail of base fixture
Scale 1:4



Detail of hand fixture
scale 1:3



unit:mm

System Robot Outline (scale 1:6)	
TH650A	
SHIBAURA MACHINE Co.,Ltd.	S-23L76-2