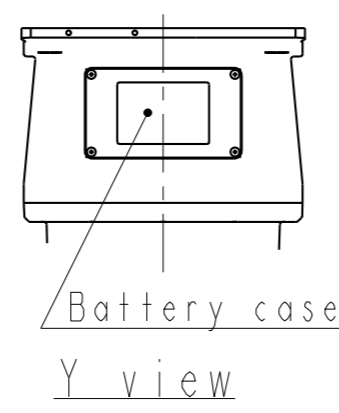


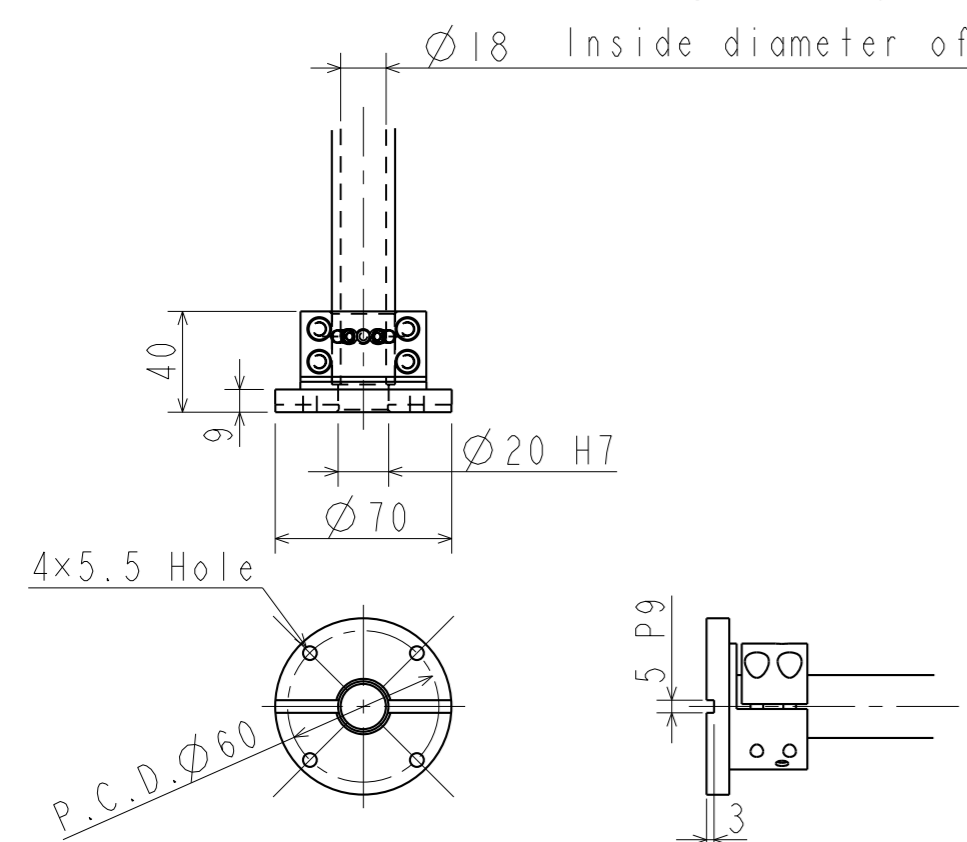
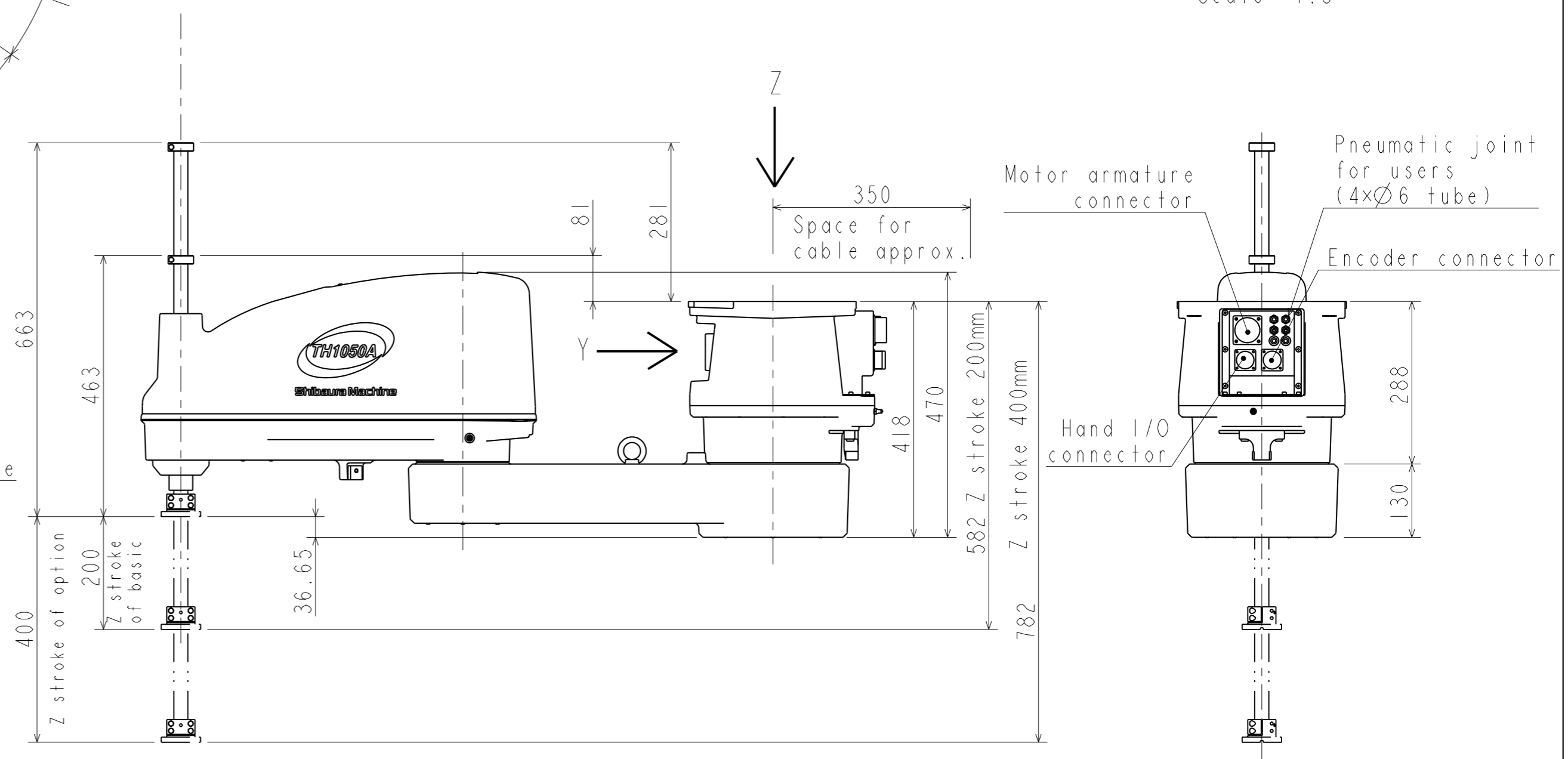
Z view
Detail of base fixture
Scale 1:5

Move envelope
scale 1:10

Ø18 Inside diameter of ball screw



Battery case
Y view



Detail of hand fixture
scale 1:3

System Robot Outline (scale 1:8)	
TH1050A-T	
SHIBAURA MACHINE CO., LTD.	S-25V25-1