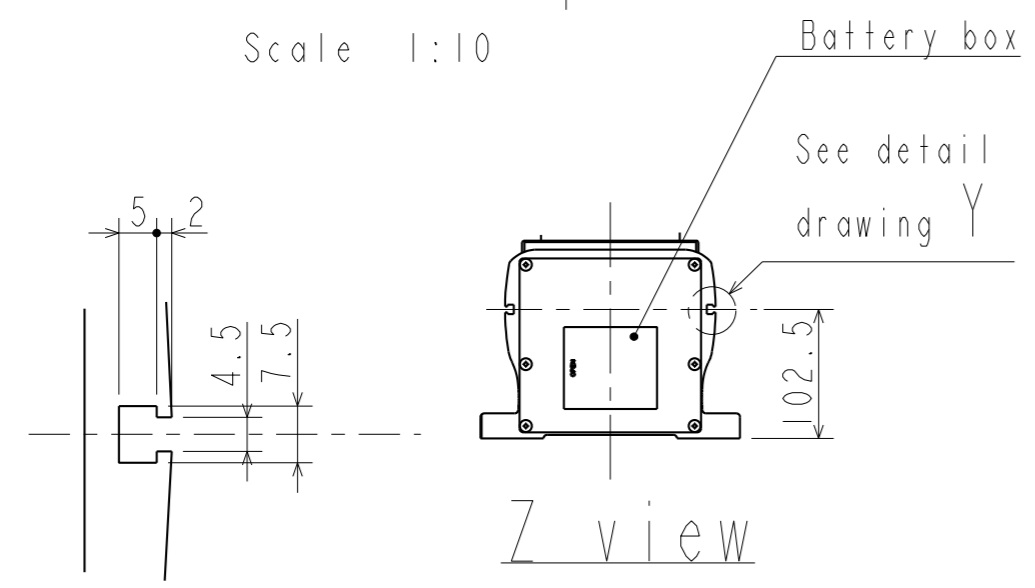
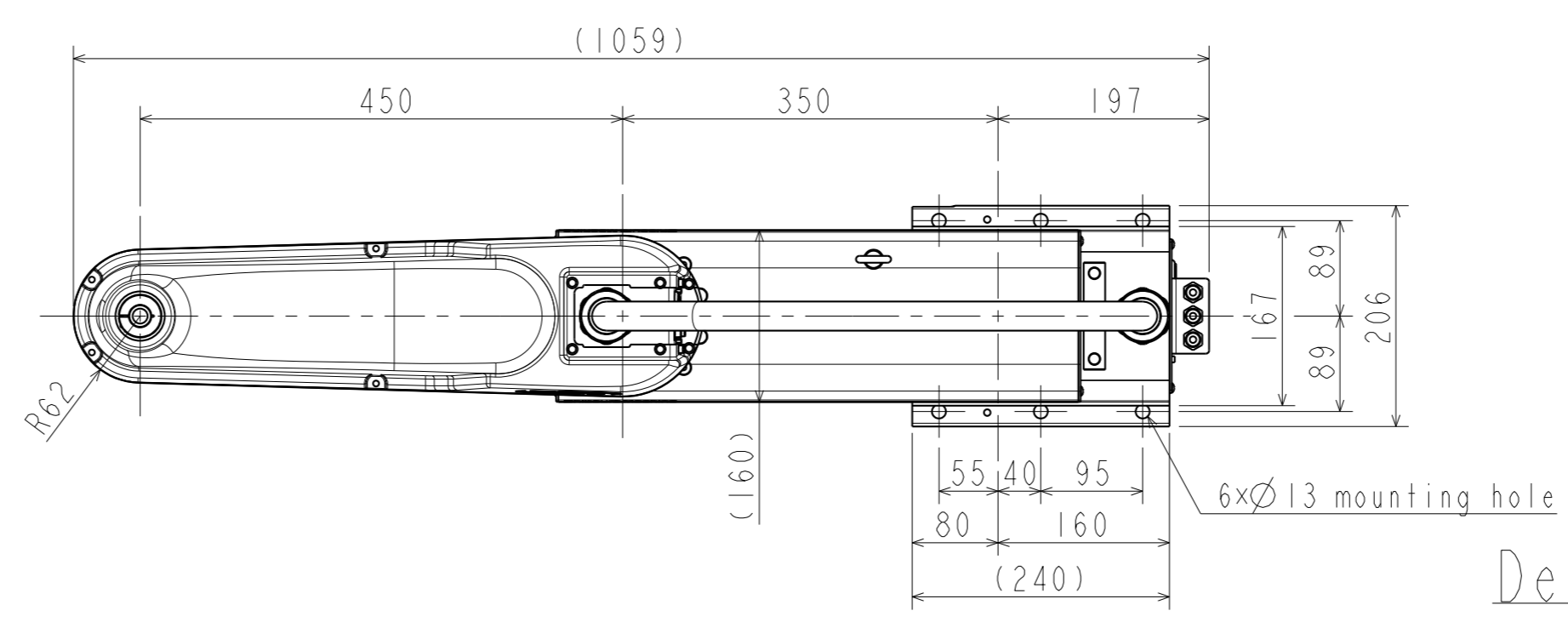


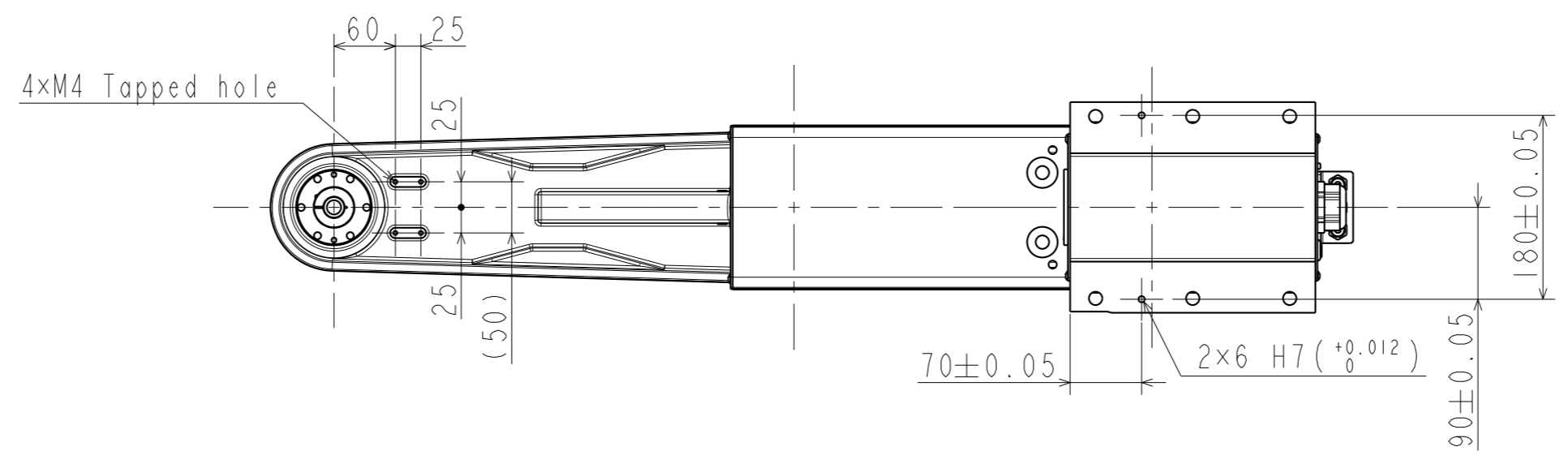
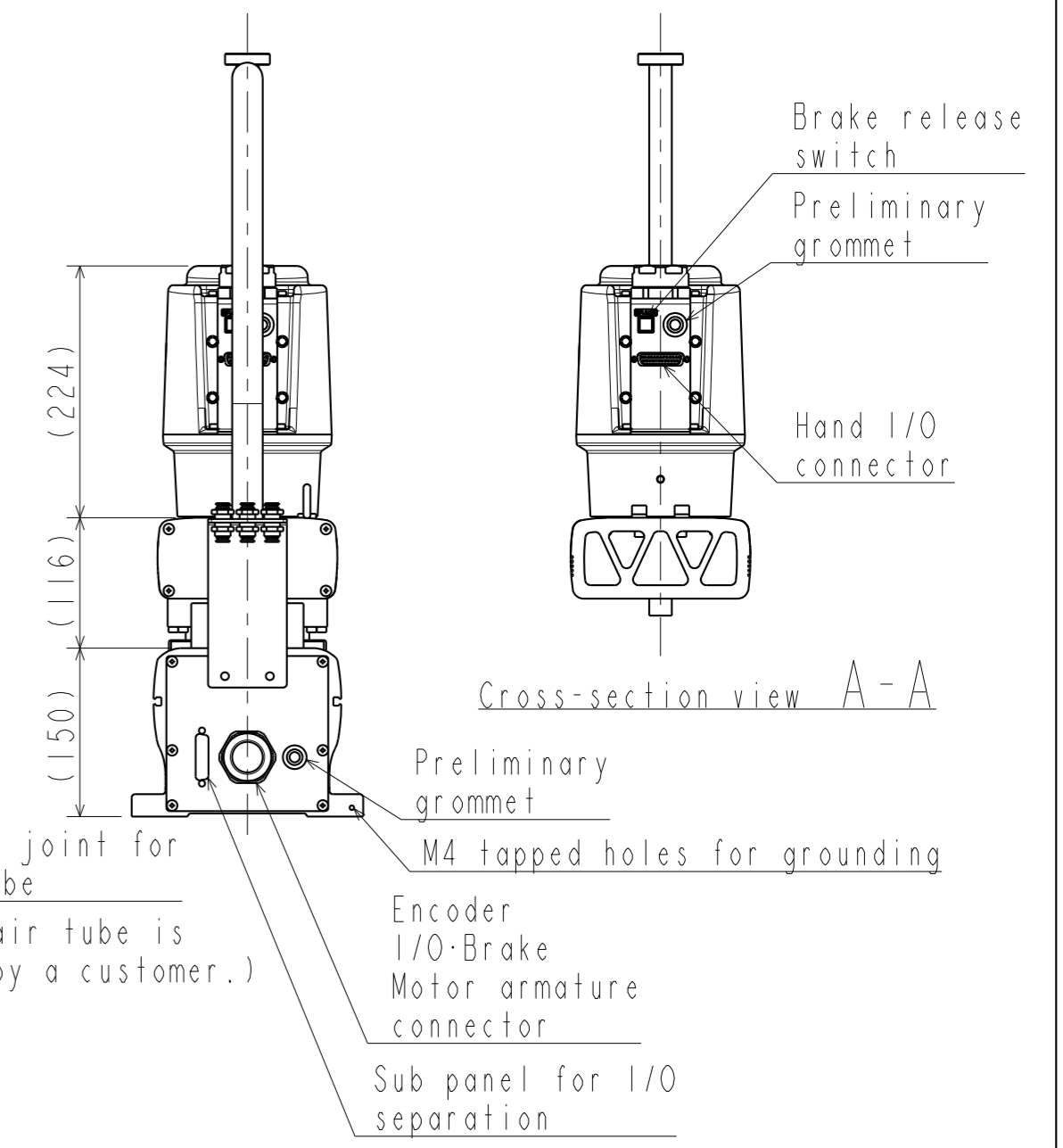
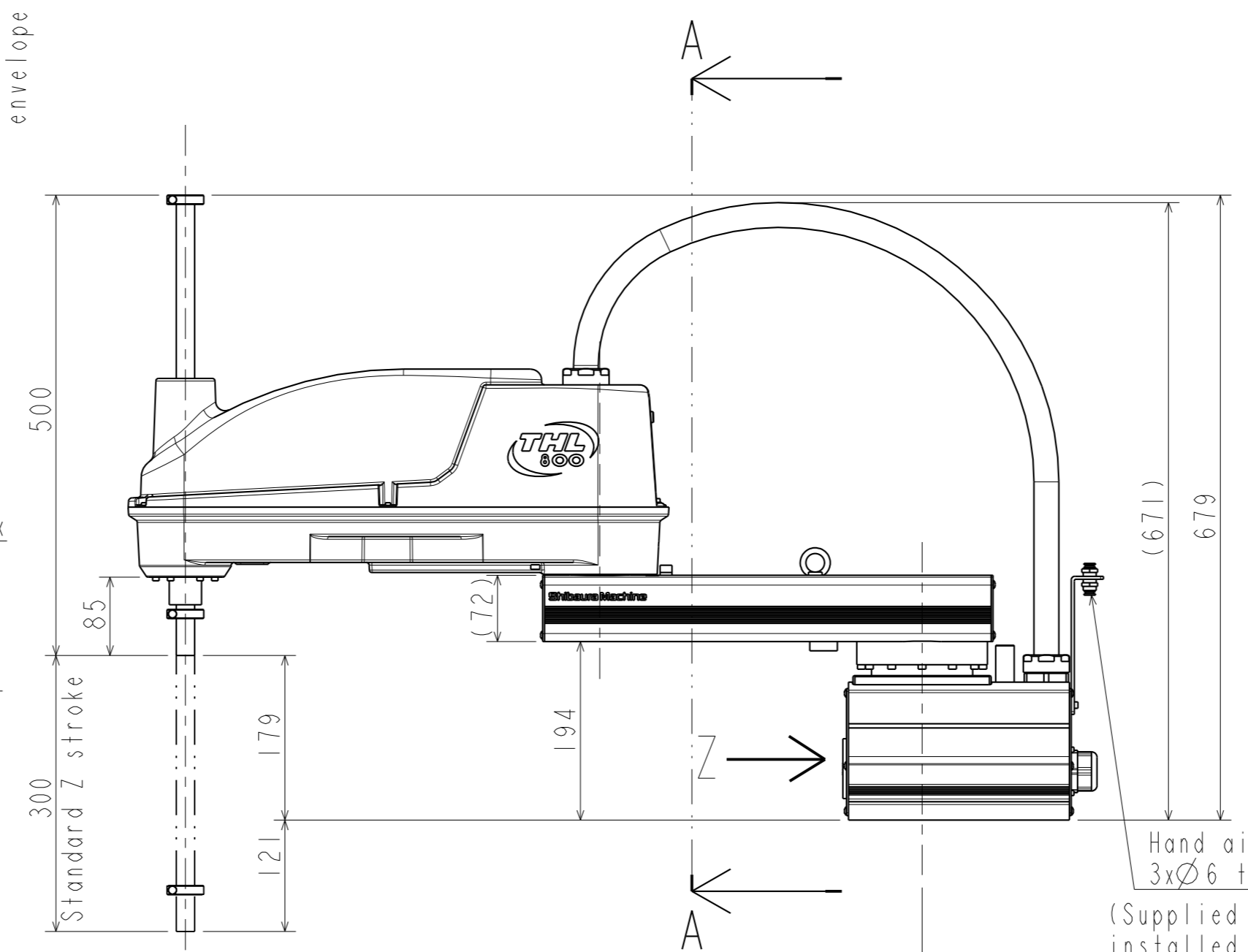
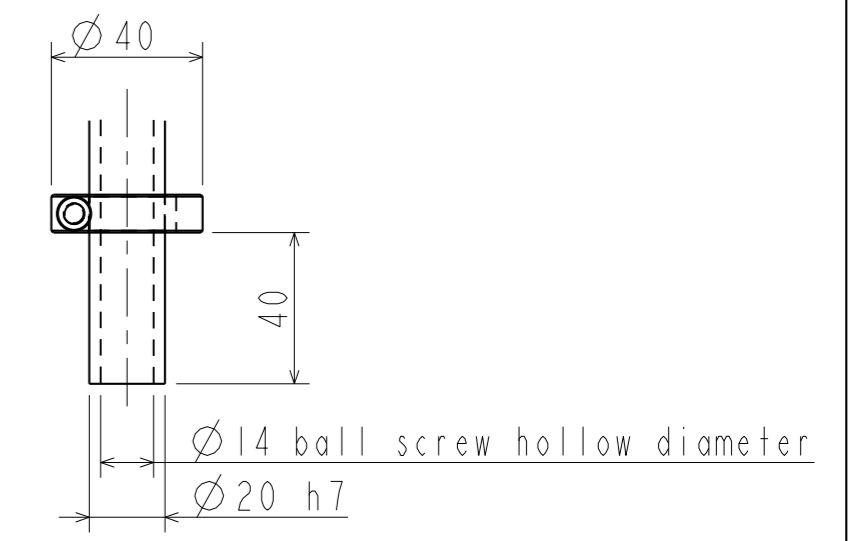
Move envelope  
Scale 1:10



Detail drawing Y 2 location  
(Detail of T-slot for mounting peripheral Device)  
Scale 1:1



Detail installation  
view of hand  
Scale 1:2



System Robot Outline	
Scale 1:6	
THL800	
SHIBURA MACHINE CO., LTD.	S-2GA80-2