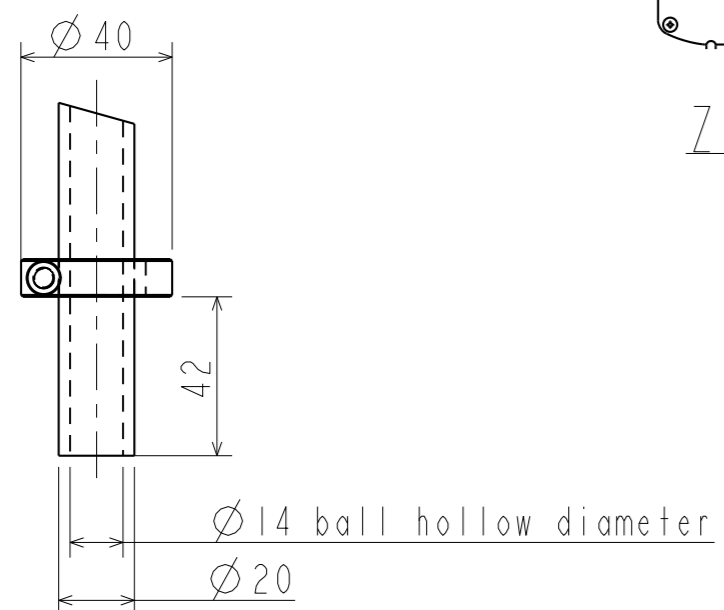
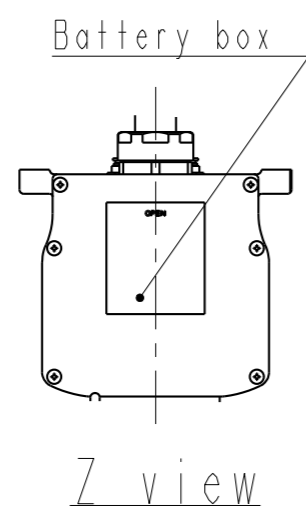
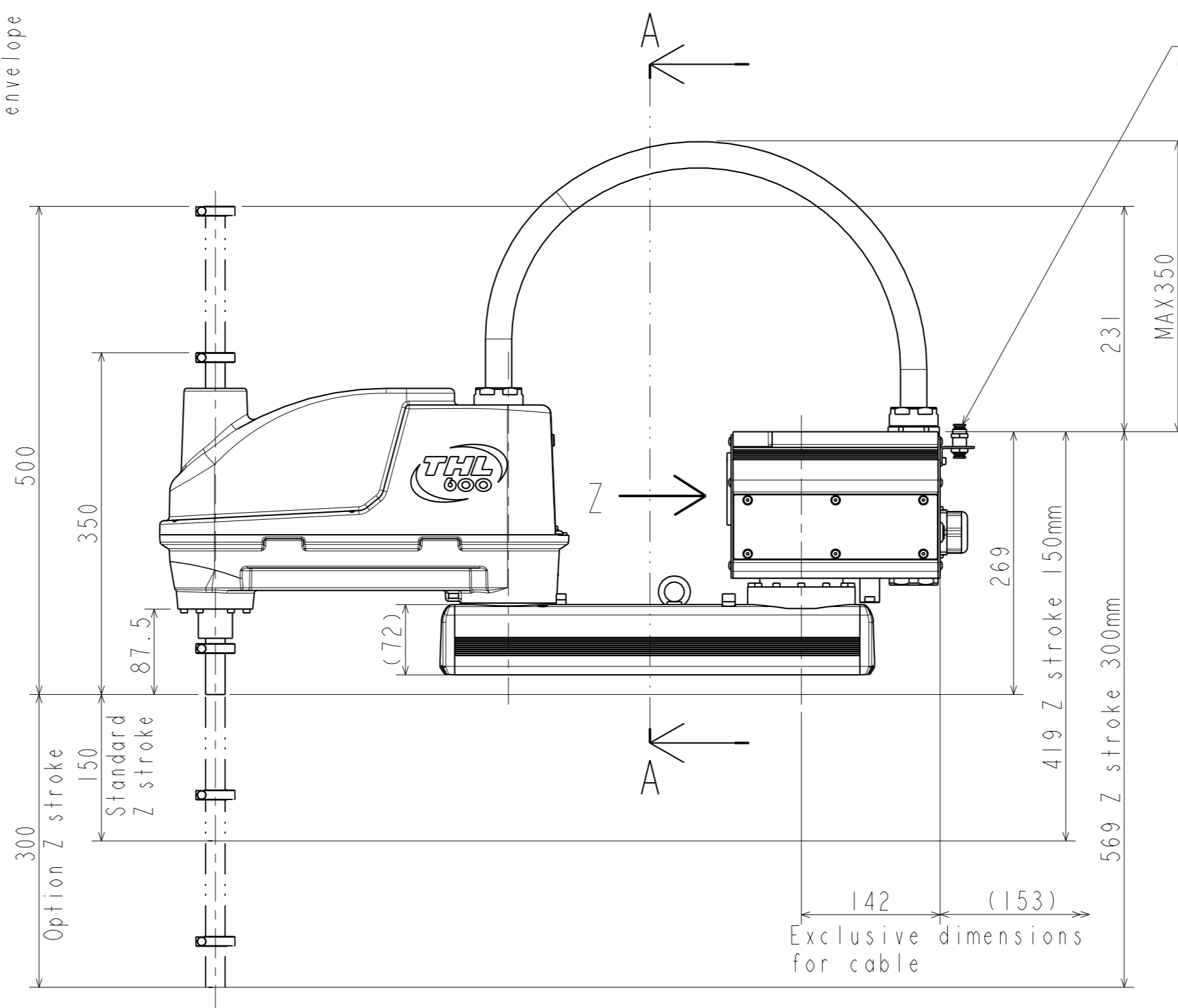
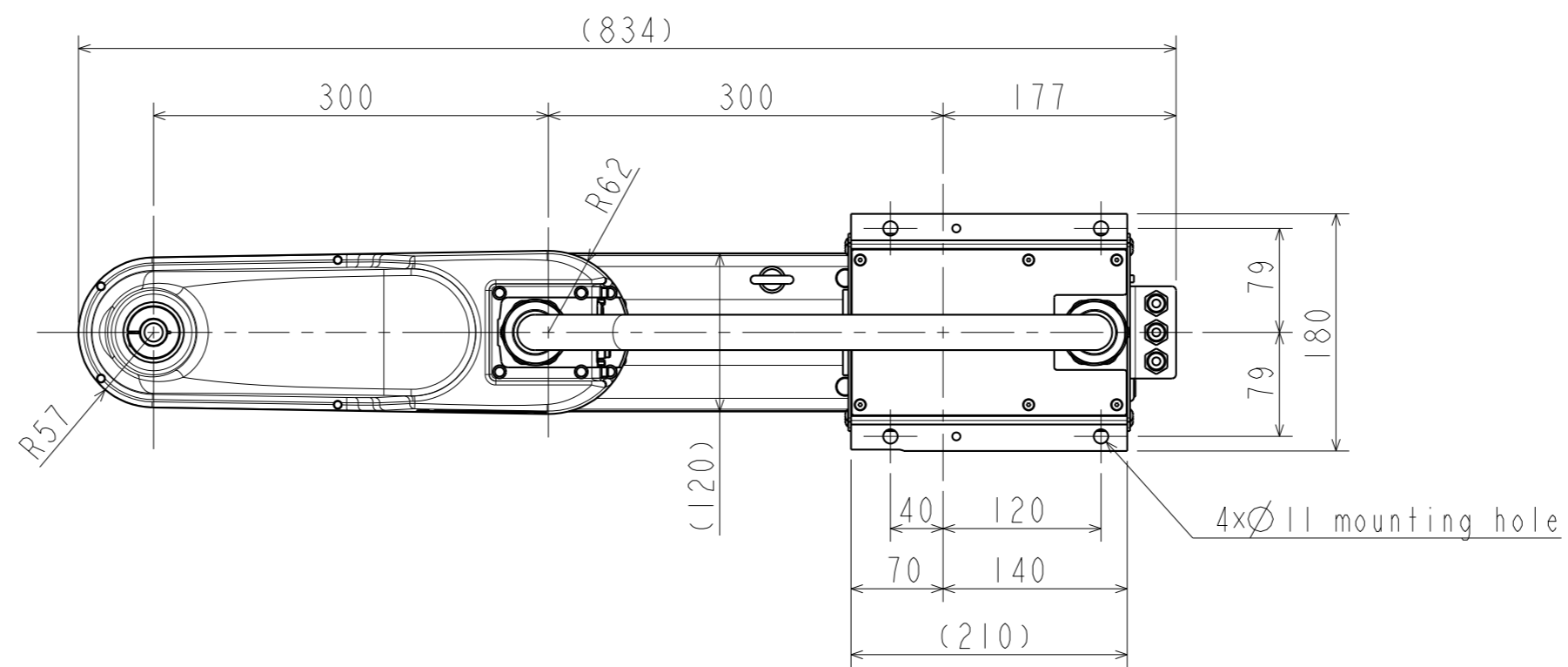


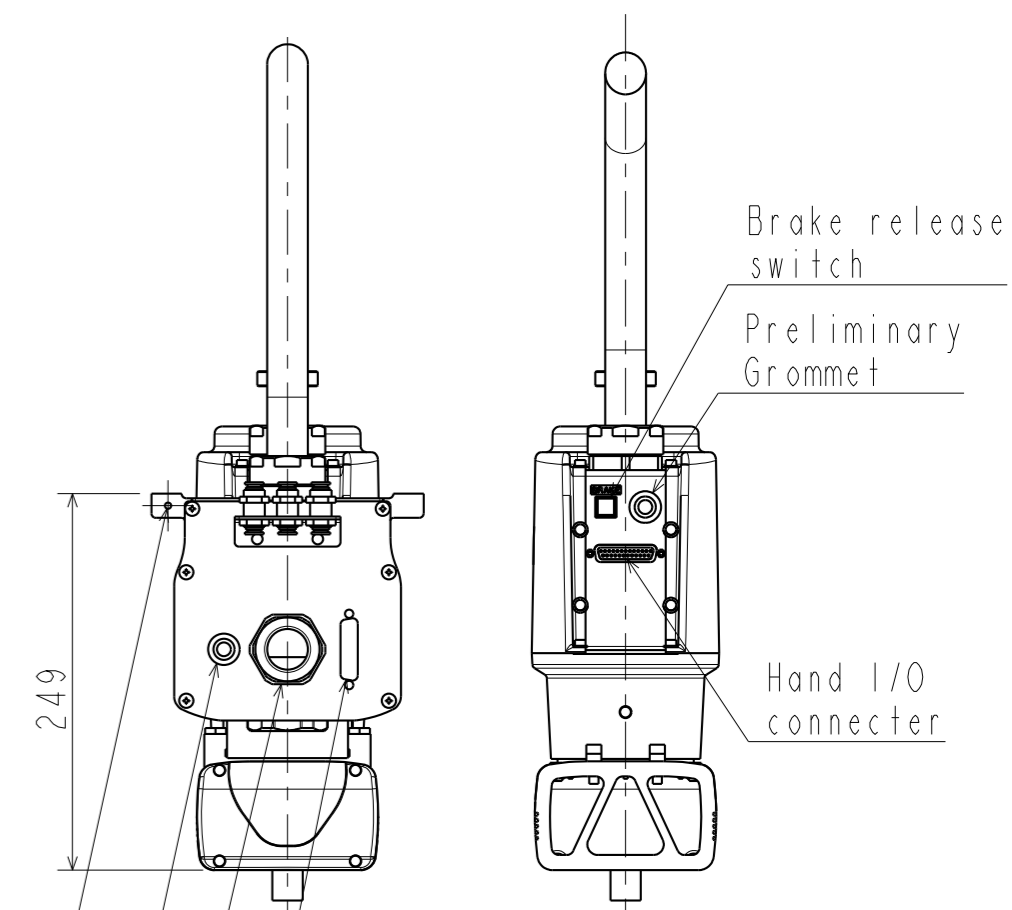
Move envelope
Scale 1:8



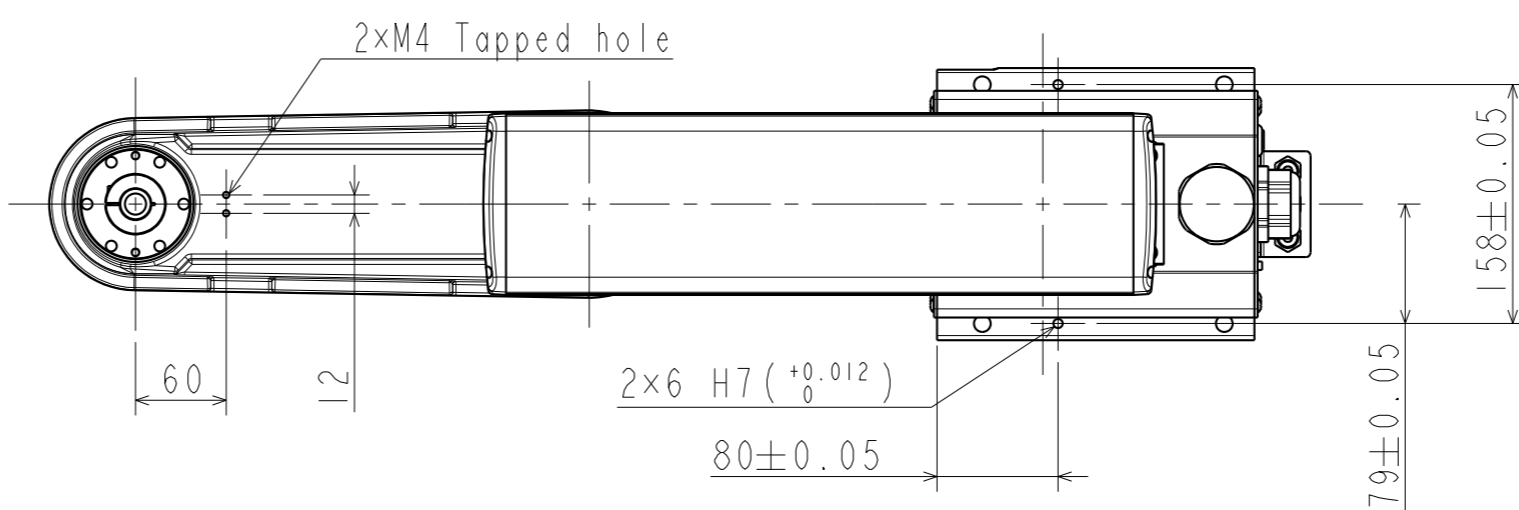
Detail installation
view of hand
Scale 1:2



Hand air joint for
3xØ6 tube
(Supplied air tube is
installed by a customer.)



Cross-section view A-A
Sub panel for I/O
separation
Encoder
I/O
Motor armature
connector
Preliminary
grommet
M4 tapped holes for grounding



System Robot Outline	
Scale 1:5	
THL600-T	
SHIBAURA MACHINE CO.,LTD.	S-2GE18-2