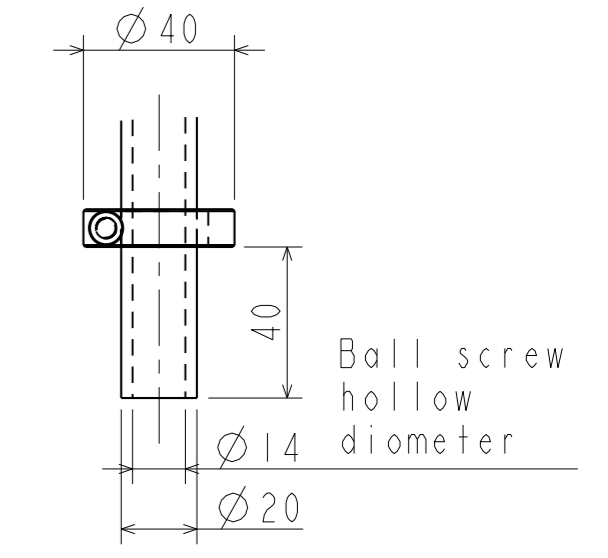
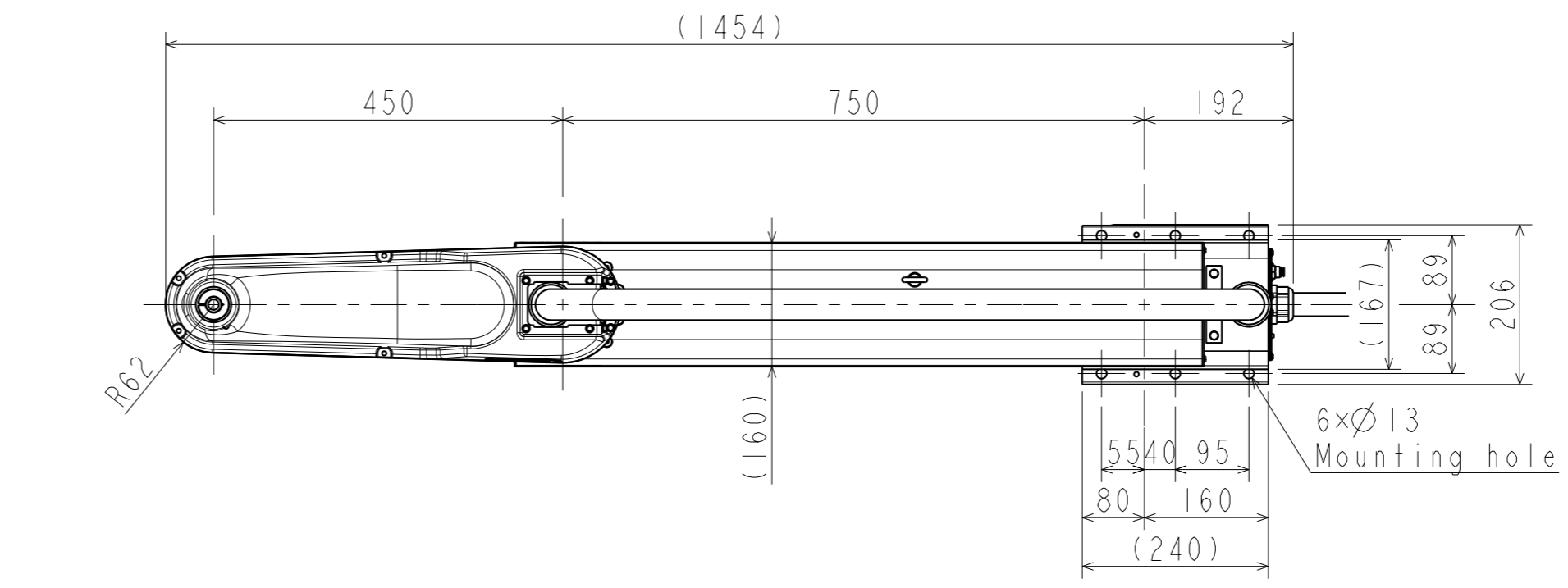
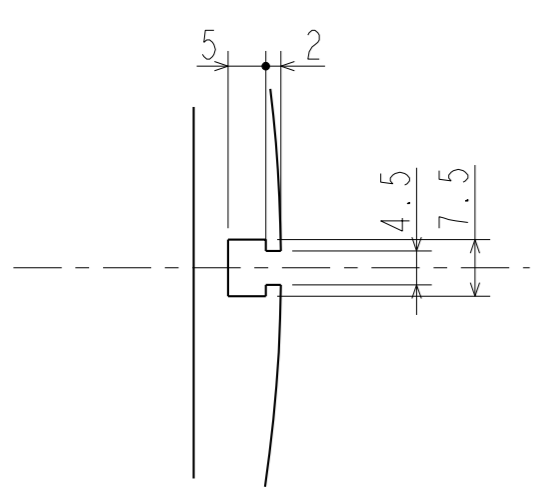
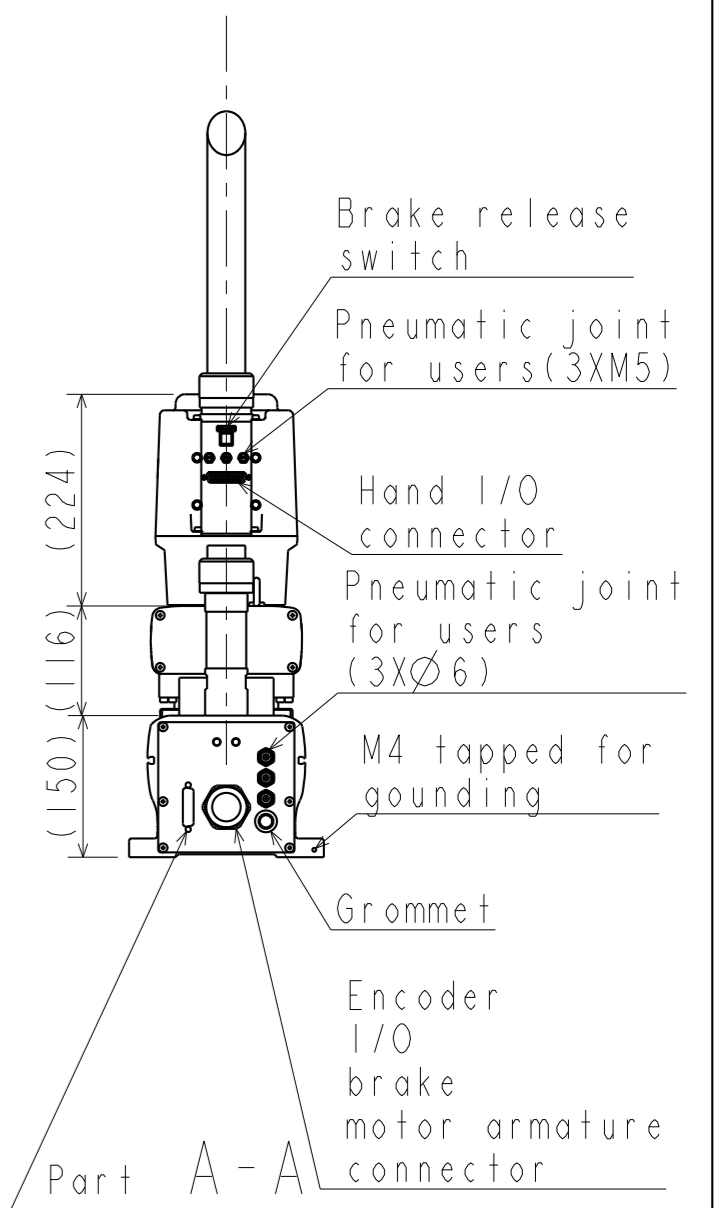
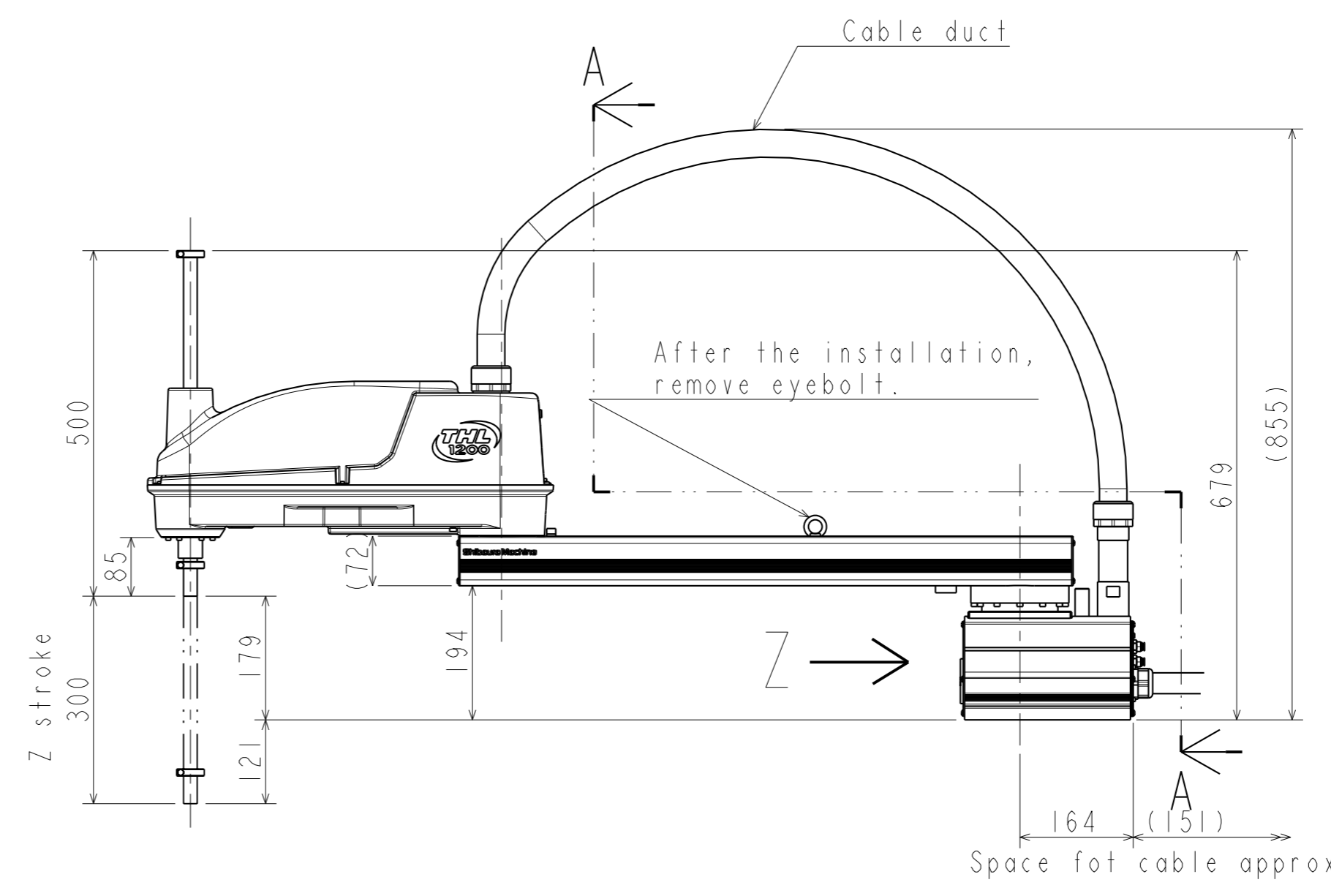


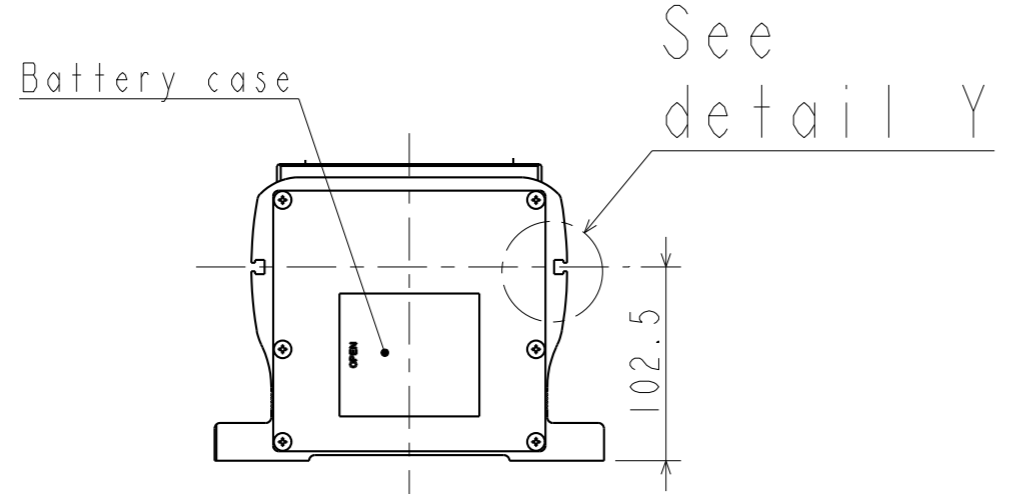
Move envelope
Scale 1:12



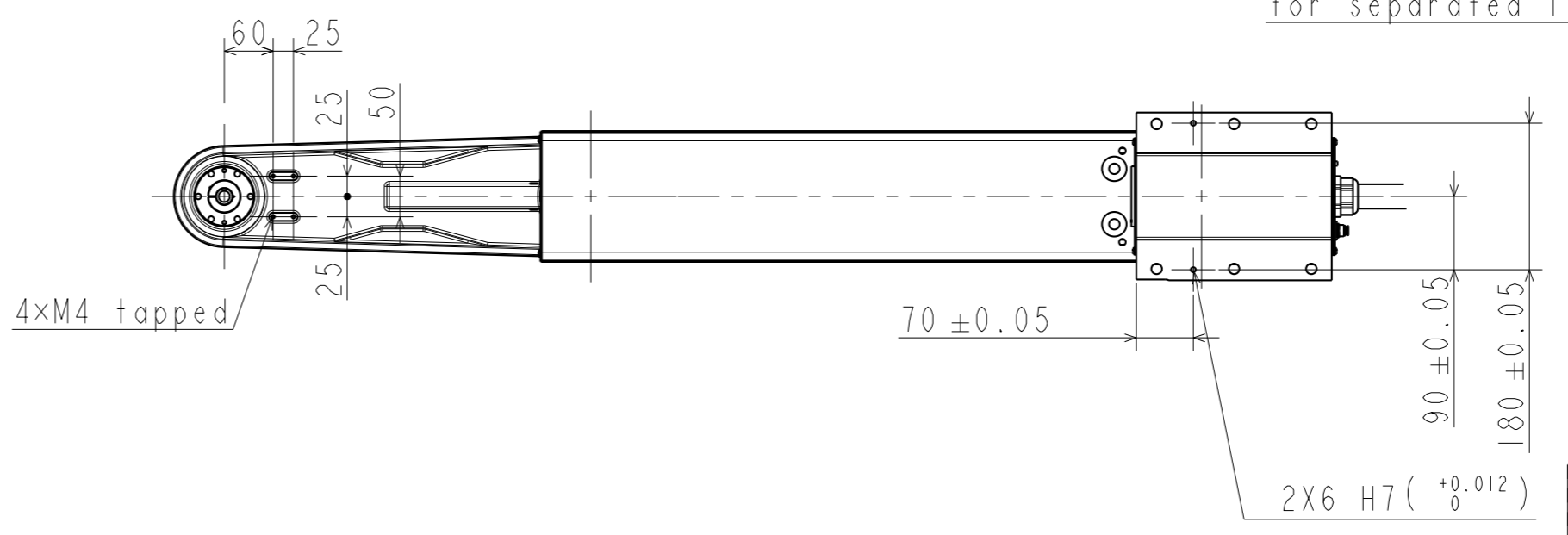
Detail
installation
view of hand
Scale 1:2



Detail drawing Y *two locations
(Detail of T-slot for mounting
peripheral device)
Scale 1:1



Z view
Scale 1:4



System Robot Outline Scale 1:8	
THL1200	
SHIBAURA MACHINE CO., LTD.	S-2MK71-4