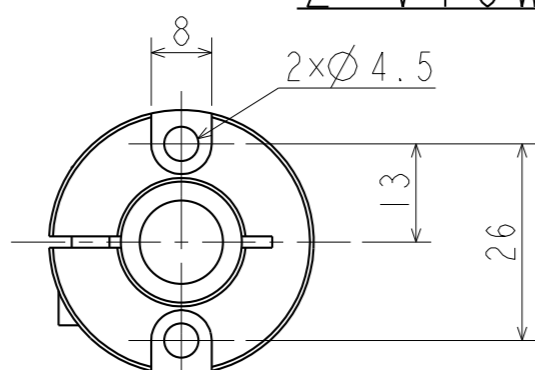
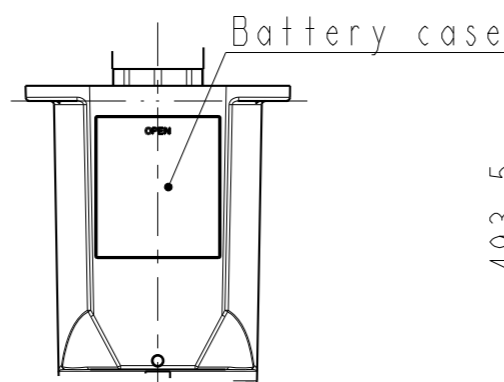
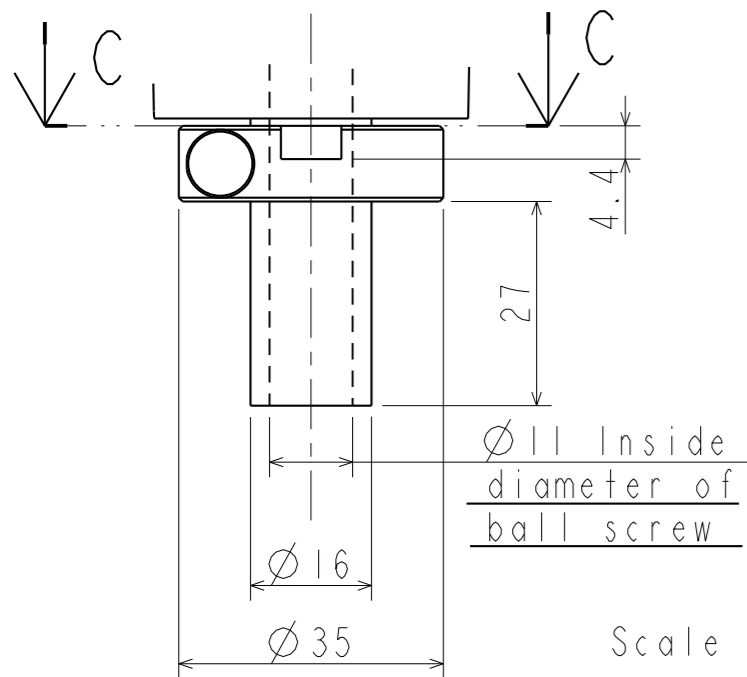


Move envelope

Scale 1:5

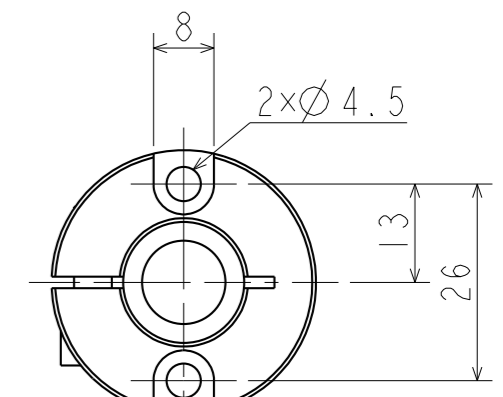
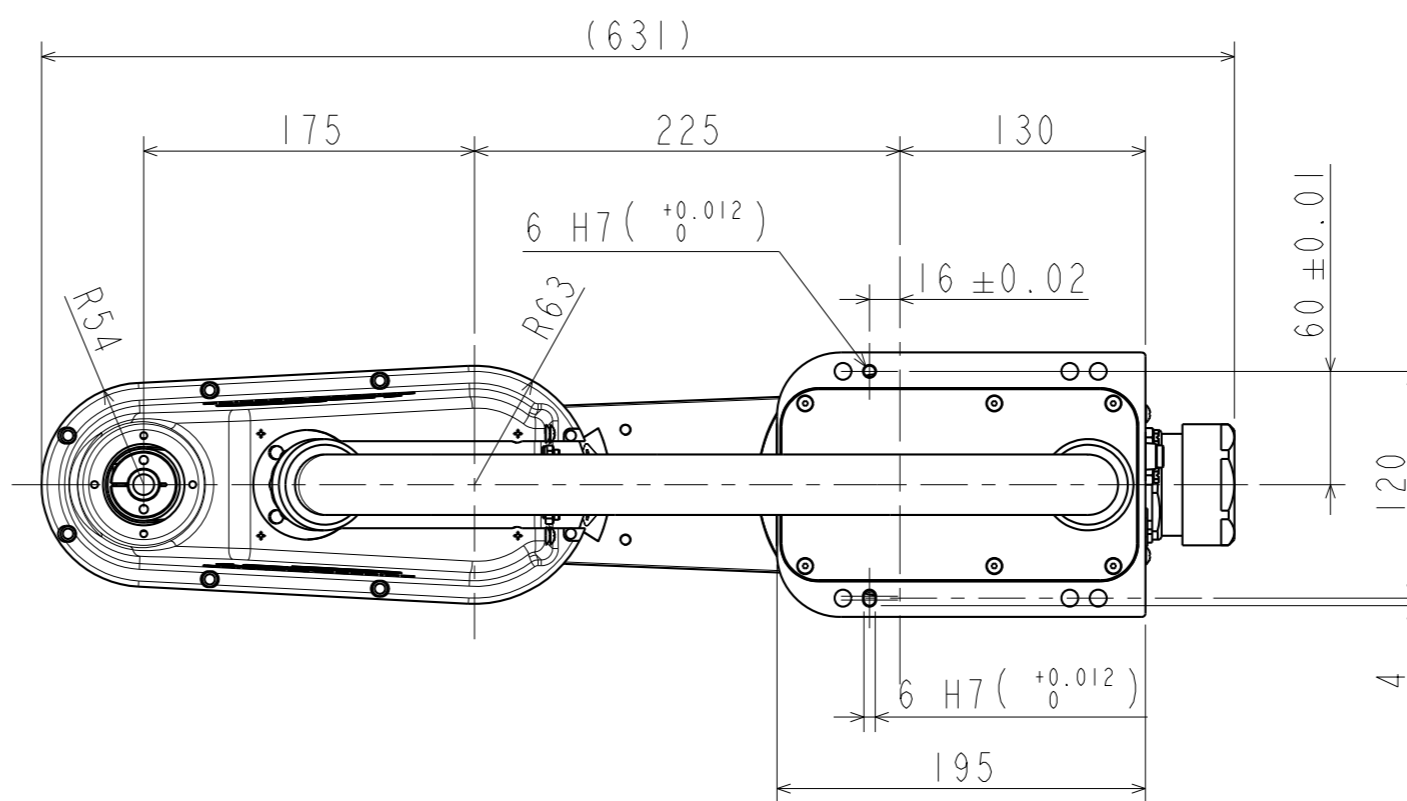


C-C



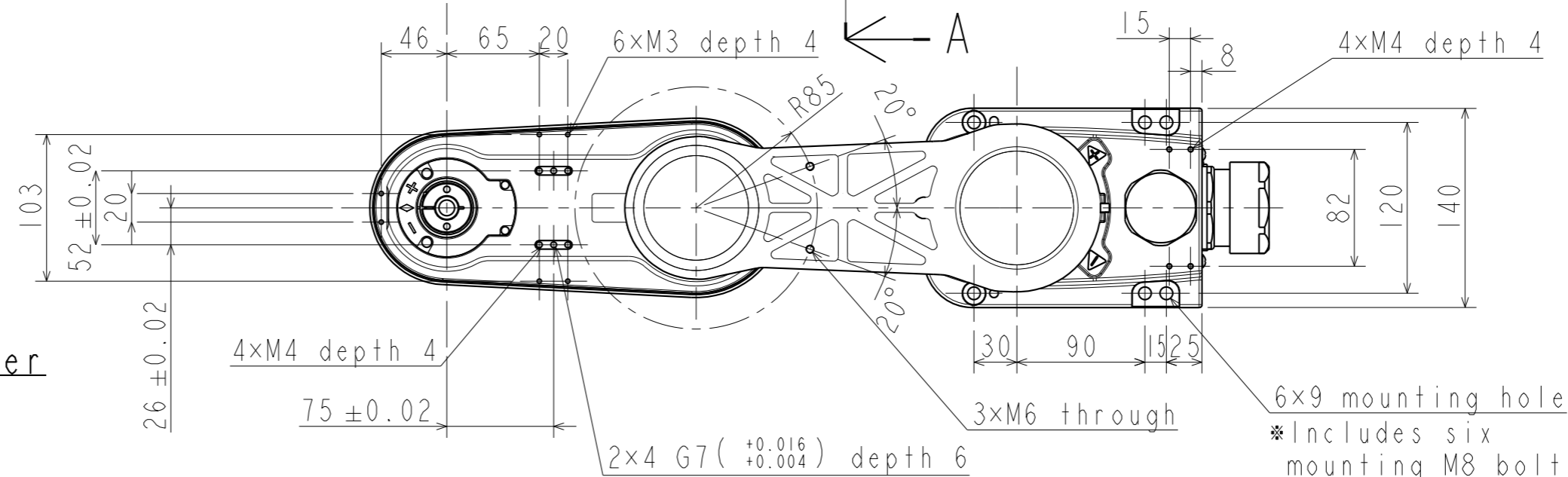
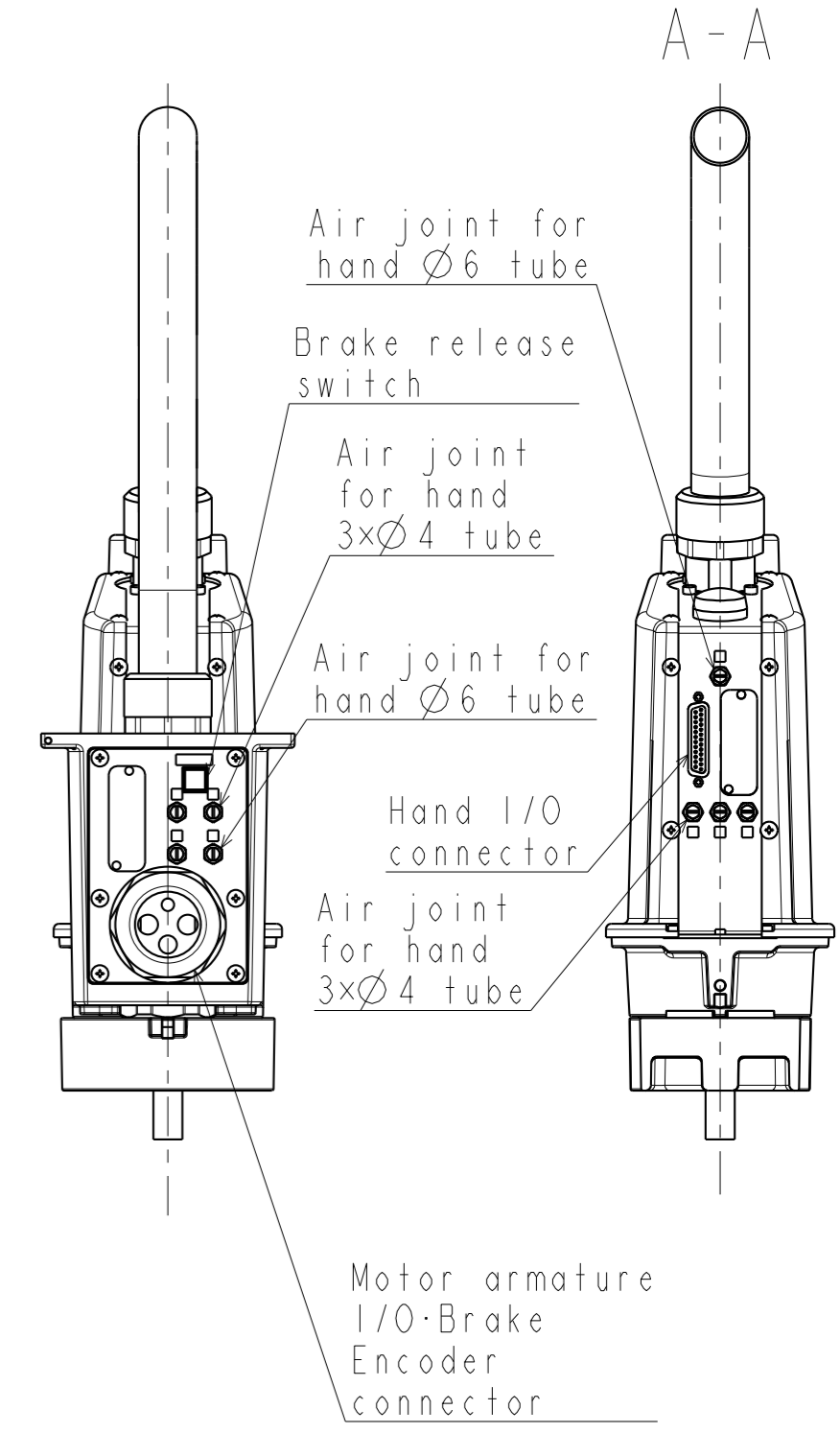
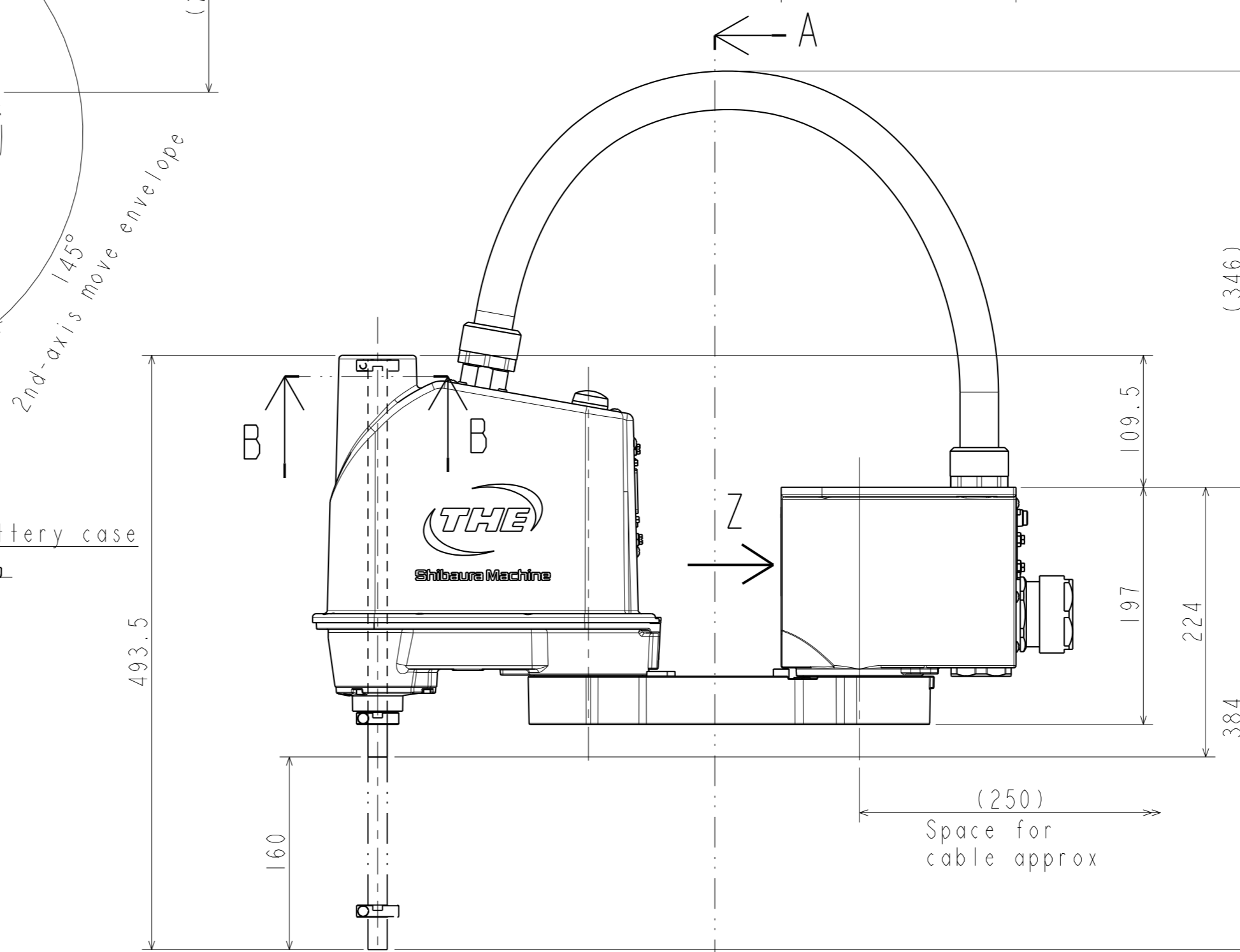
Detail installation view of hand

Detail installation view of lower stopper



B-B
Scale 1:1

Detail installation view of upper stopper



System Robot Outline	
Scale 1:4	
THE400-T	
SHIBAURA MACHINE CO., LTD.	S-2NN95-1