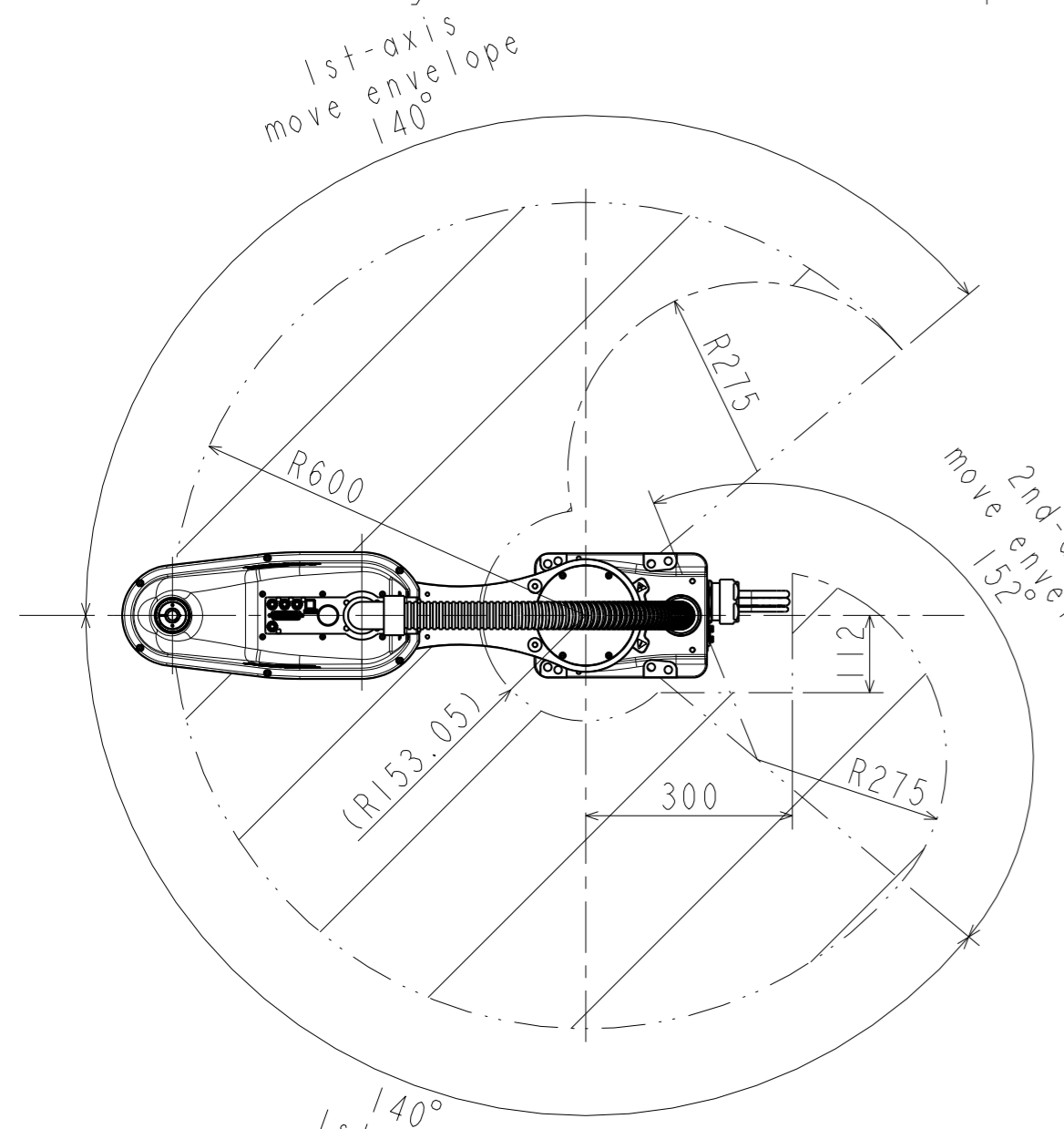
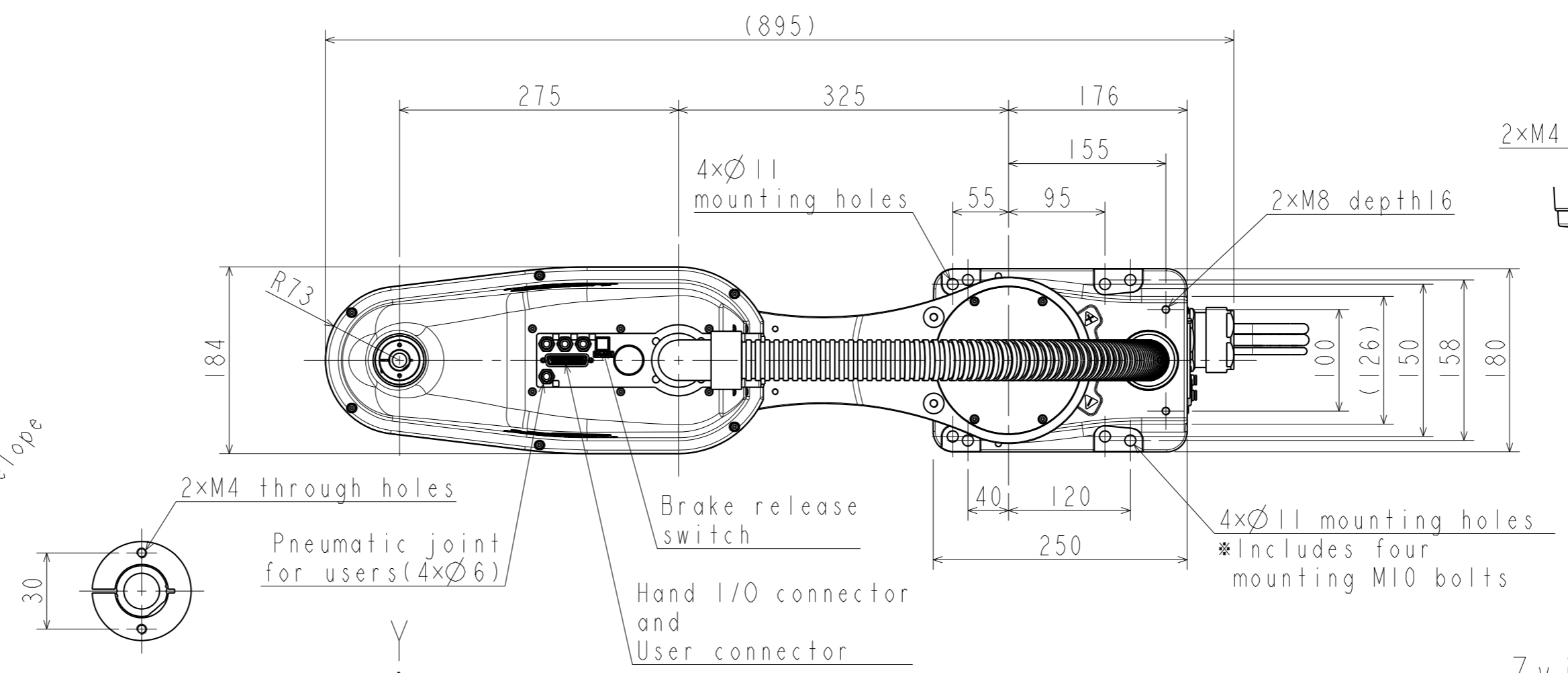


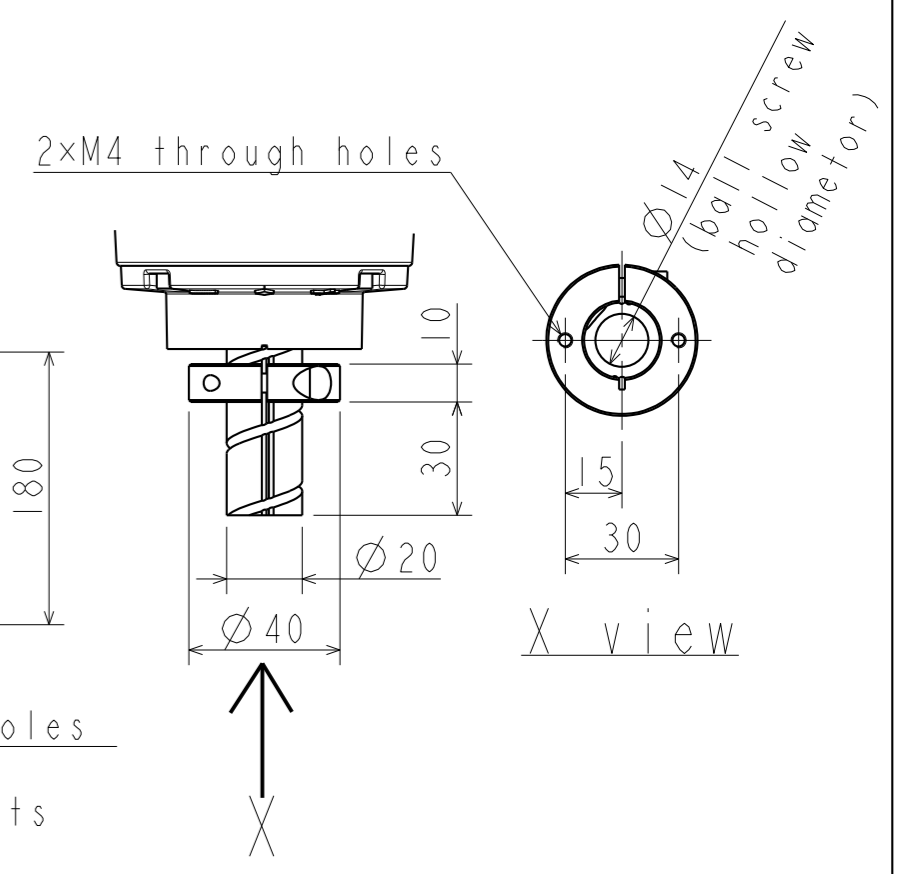
140° 1st-axis move envelope Scale 1:10  
Lefty Move envelope



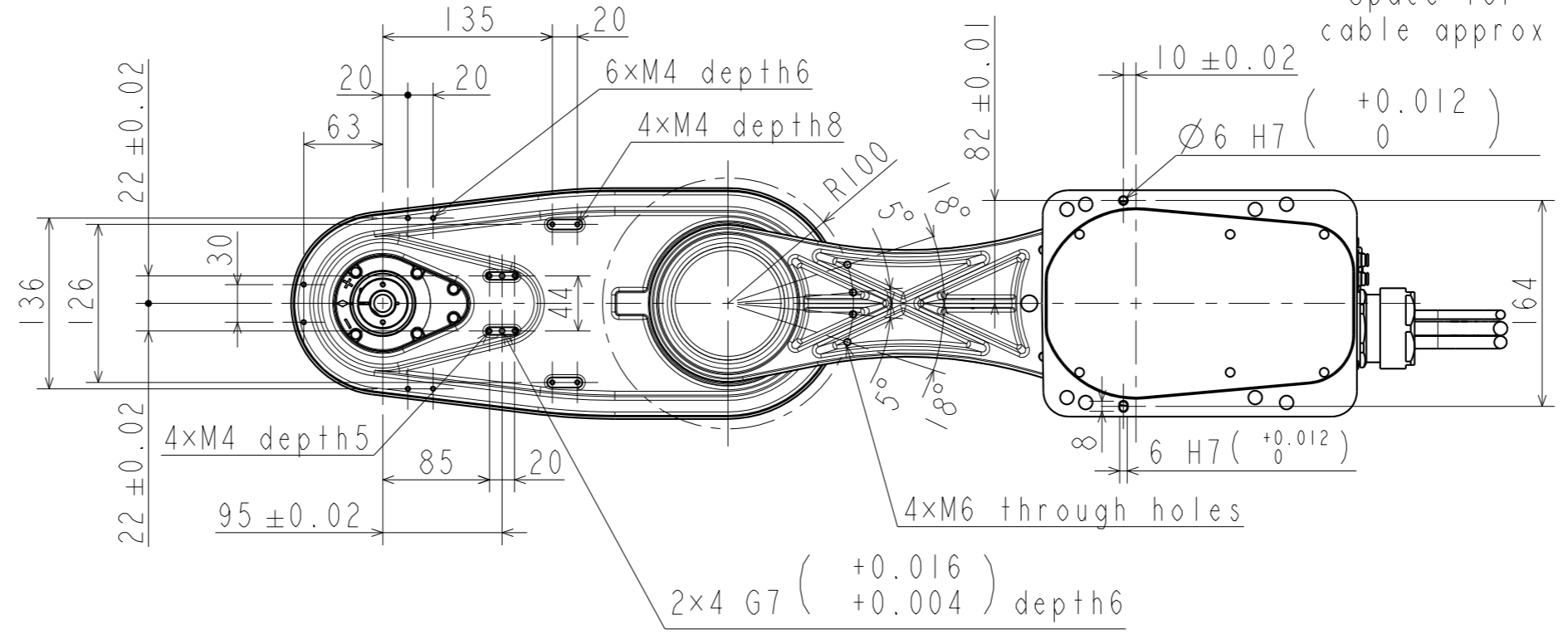
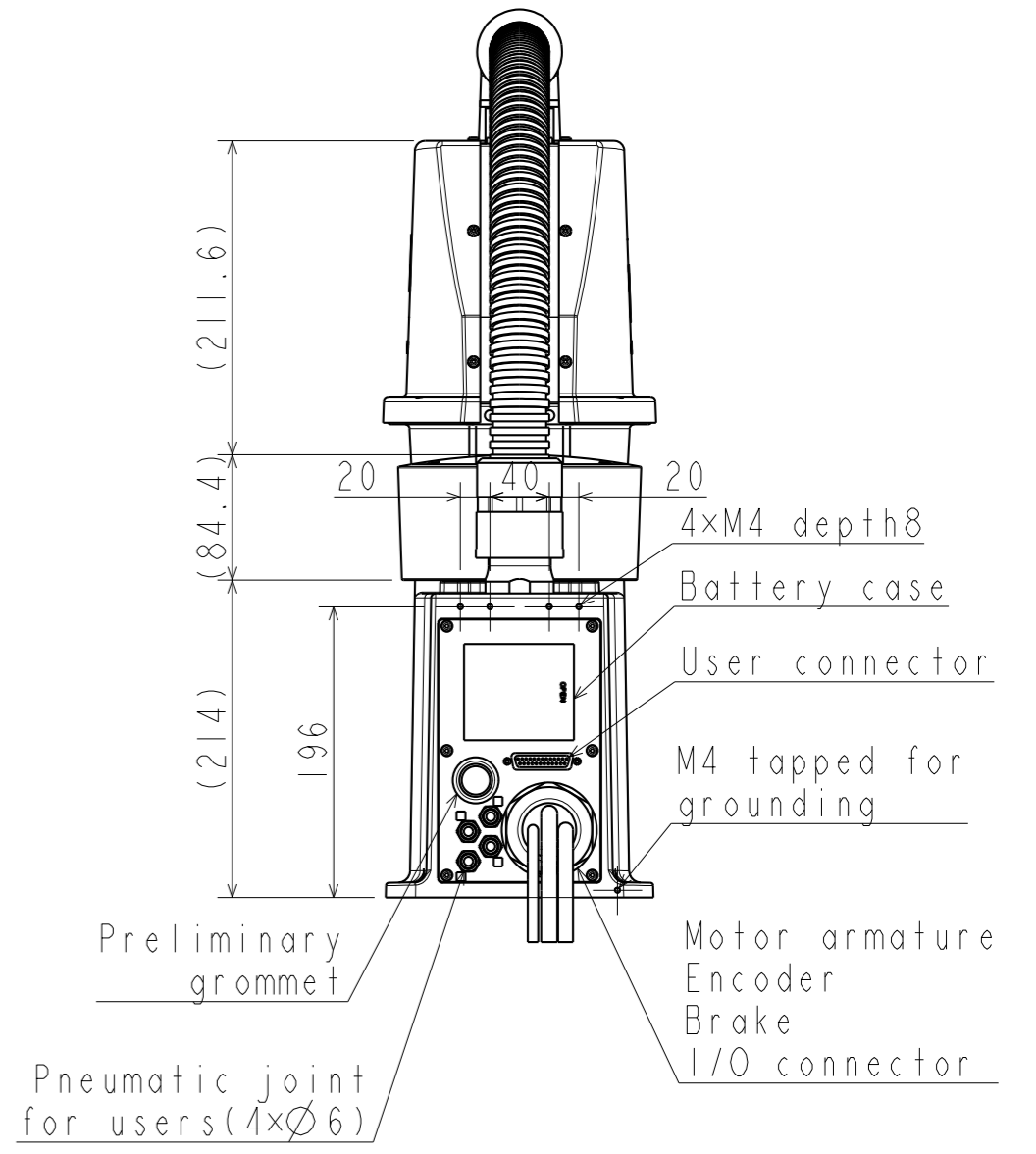
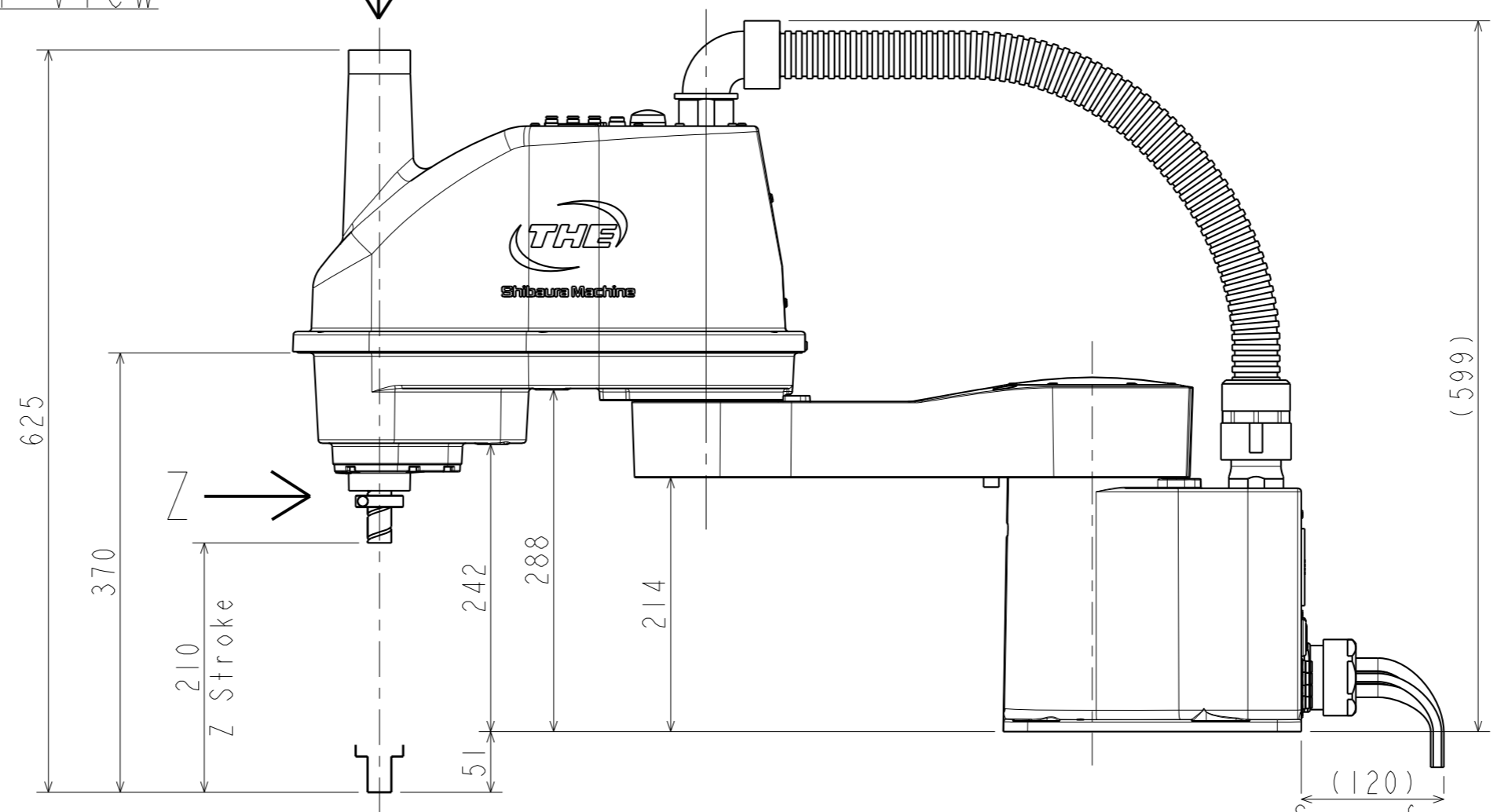
140° 1st-axis move envelope Scale 1:10  
Righty Move envelope



Scale 1:2  
Y view



Scale 1:2  
Z view Detail  
installation view of hand



System Robot Outline	
Scale 1:5	
THE600	
SHIBURA MACHINE CO., LTD.	S-2NS19-2