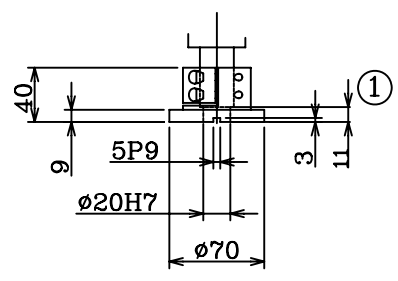
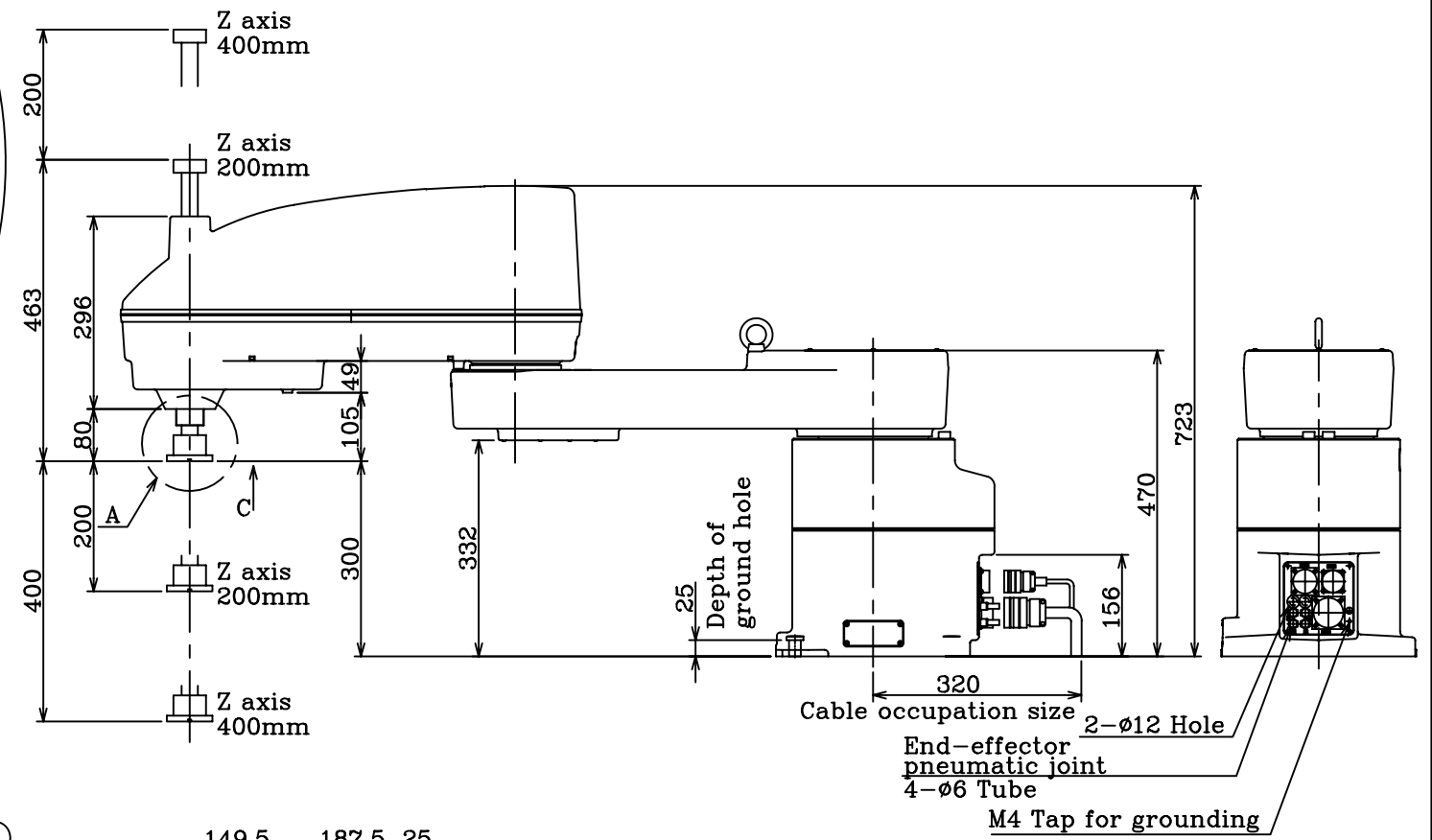
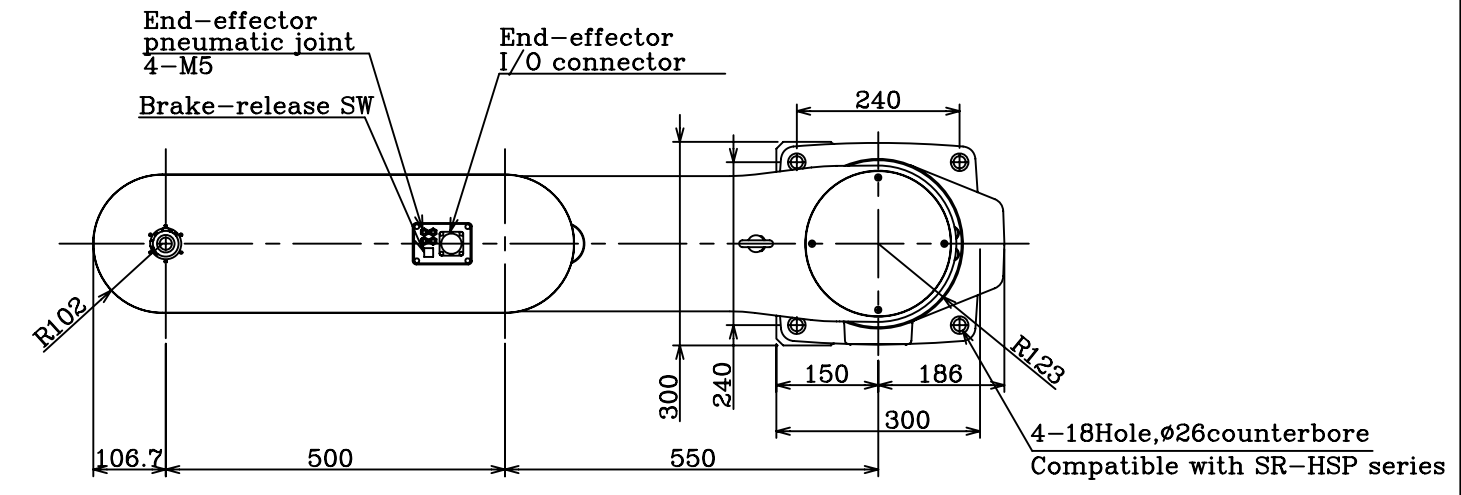
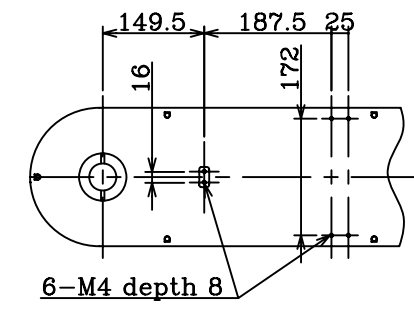


Part A; Working envelope



Part A detail(End-effector mount)



Part C detail (Tap hole for peripheral device fixture)

①	1 06'7'20	add hole depth	Shimbo Negishi
			DSGN APVD