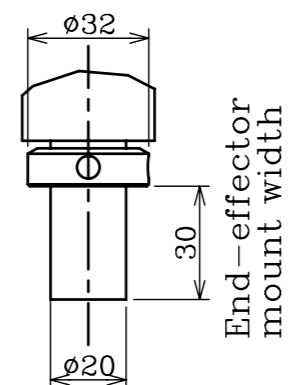
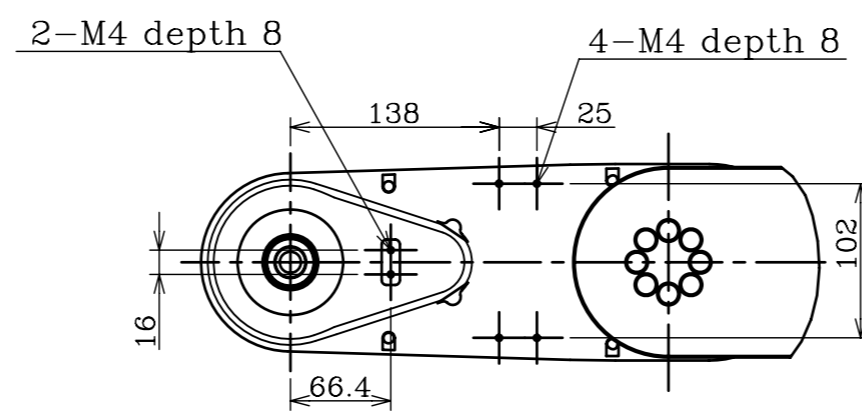
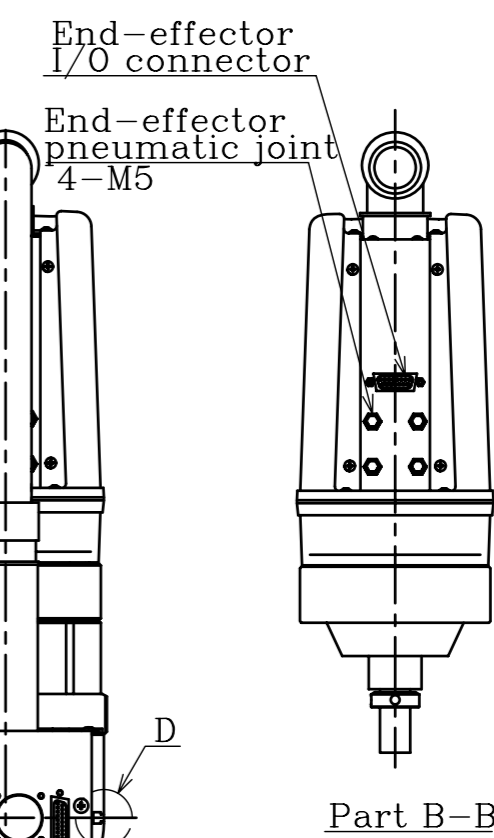
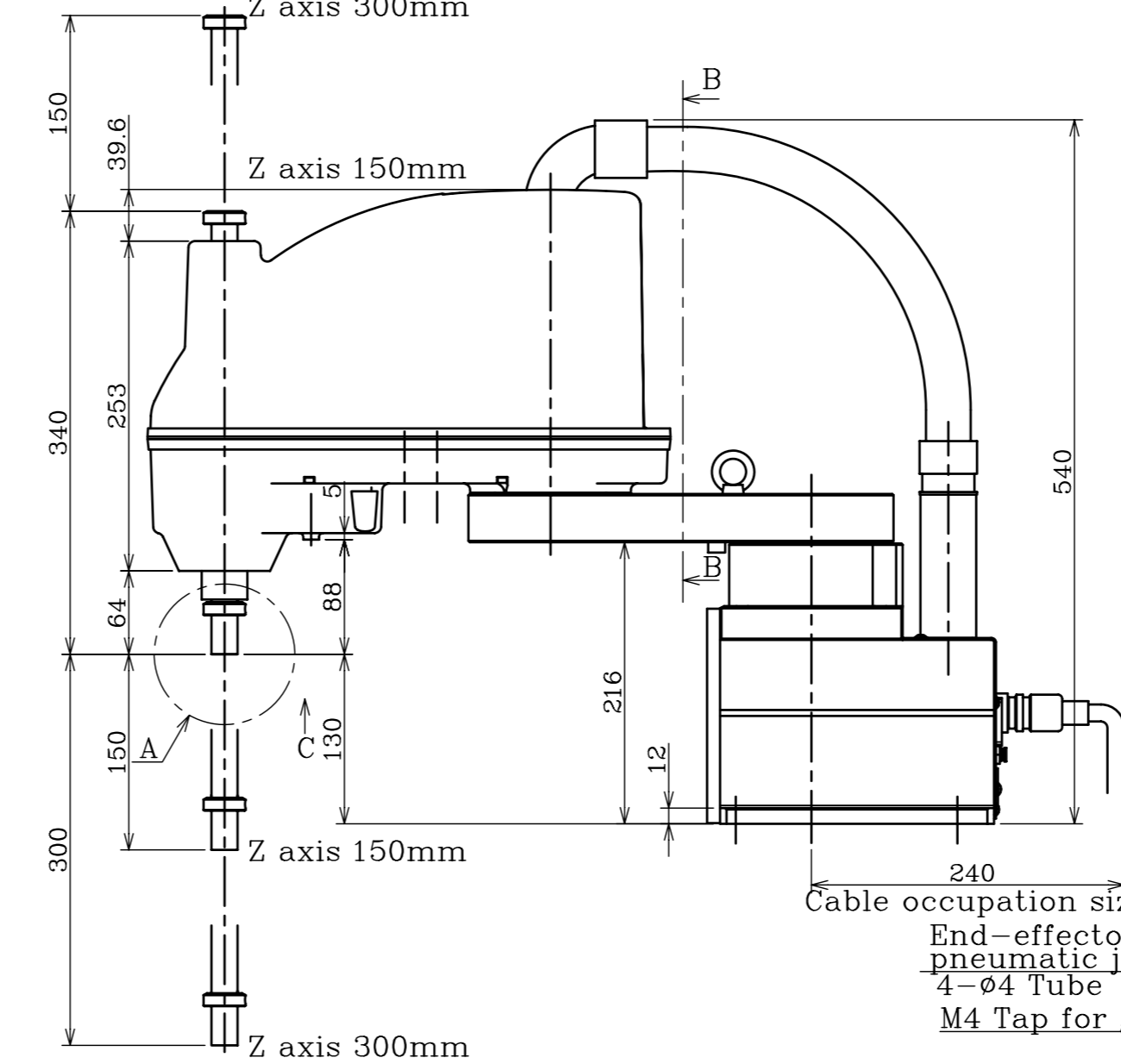
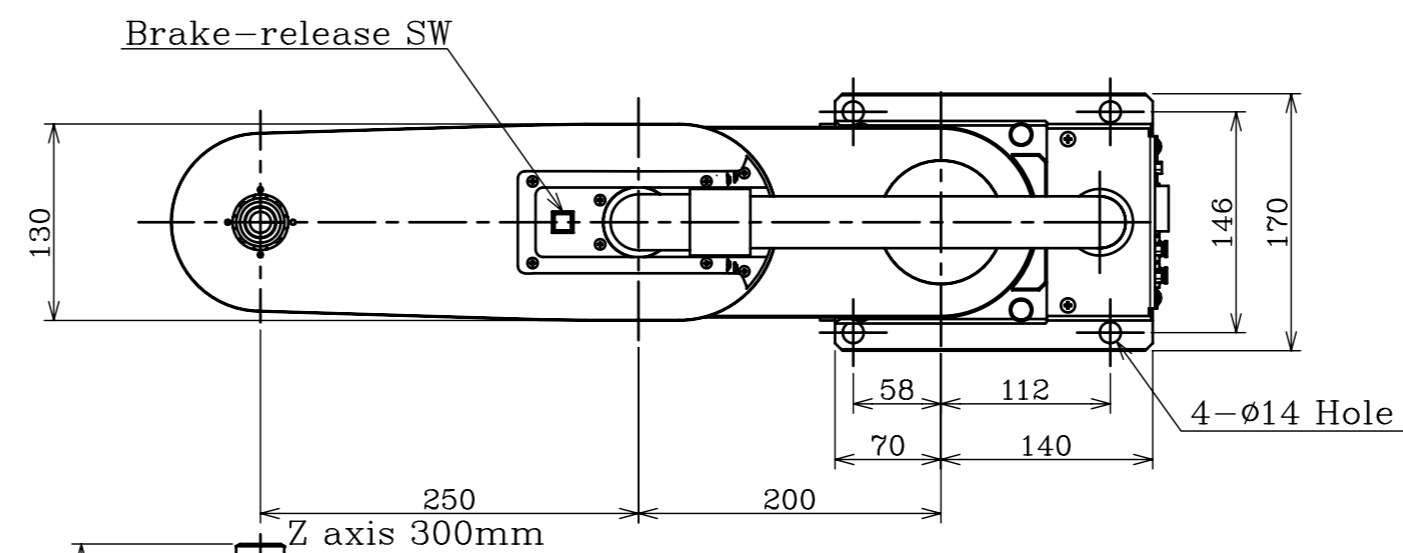


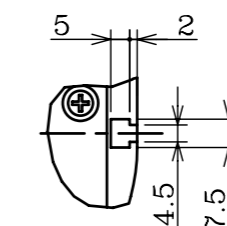
Part A: Working envelope



Part A detail (End-effector mount)



Part C detail (Tap hole for peripheral device fixture)



Part D detail
(T-shaped thread for peripheral device fixture)